

LANDSCAPE SLIDES – FIBERGLASS RESIN TRANSFER MOLDED (RTM) TECHNOLOGY: BUILD YOUR OWN SLIDE (BYOS™), RIVER RUN SERIES (RRS™), & GARDEN RIDE SLIDES (GRS™)

The BYOS 1 & 2 slides are **CUSTOM** slides and **must** be ordered by following the quote and design process at Inter-Fab. Phone: 800-737-5386 See pages 161-164 for BYOS quote forms.

The Build Your Own Slide™ (BYOS™) products provide easy slide solutions to builders incorporating handcrafted rock work or concrete formations into custom backyard settings.



LANDSCAPE SLIDE COLORS AVAILABLE:

Tan: -51; Gray: -52; Summit Gray: -53; Mont Blanc: -54; Pebble: -55; Fashion Gray: -56; Cappuccino: -57; Autumn Sun: -58; Safari Sunrise: -59; Starry Night: -60; and Seashell: -61

FEATURES:

- Four Collections (BYOS 1, BYOS 2, River Run Series & Garden Ride Series) offer Custom Flume Sections That Can Be Used in Various Combinations (BYOS 1, BYOS 2, River Run Series & Garden Ride Series Parts Are Not Interchangeable)
- Zoom Flume™ Water Delivery System
- Stainless Steel Construction Anchoring System Included with BYOS 1, BYOS 2 & RRS; Optional with GRS
- Stainless Steel Hardware Included
- Earth Tones & Granite Colors Available
- Advanced High-Tech RTM Manufacturing
- BYOS 1 Weight Limit = 250 lbs.
- BYOS 2 Weight Limit = 350 lbs.
- RRS Weight Limit = 350 lbs.
- GRS Weight Limit = 350 lbs.
- Multiple Patents Pending

Check your local electrical code for bonding requirements.



BYOS 1 & 2 SLIDES: Customizable by length and shape. (Must pass Inter-Fab safety requirements.)

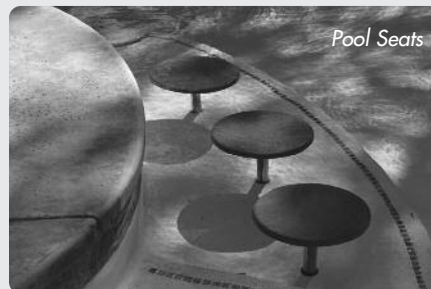
RIVER RUN SERIES: Pre-set BYOS 2™ slides available in 19', 23', 24' and 29' lengths; left and right turns available.

GARDEN RIDE SLIDES: Pre-set slide configurations available in 7', 10' and 15' lengths; left and right turns available.

MATCHING PRODUCTS AVAILABLE:

The T7 Diving System™, Tables, and In-Pool Seating are designed to match the Landscape Slide products perfectly for a complete designer pool look.

Add on matching products to your pool design to create a custom, color coordinated theme specific to the homeowner's style and décor.



BYOS 1™ & BYOS 2™ SLIDES:

The BYOS 1 & 2 slides are **CUSTOM** slides and **must** be ordered by following the quote and design process at Inter-Fab. Phone: 800-737-5386

BYOS 1 & BYOS 2 SLIDE COLORS AVAILABLE:

Tan: -51; Gray: -52; Summit Gray: -53; Mont Blanc: -54; Pebble: -55; Fashion Gray: -56; Cappuccino: -57; Autumn Sun: -58; Safari Sunrise: -59; Starry Night: -60; and Seashell: -61

BYOS 1 slides are designed for use in residential pool applications.

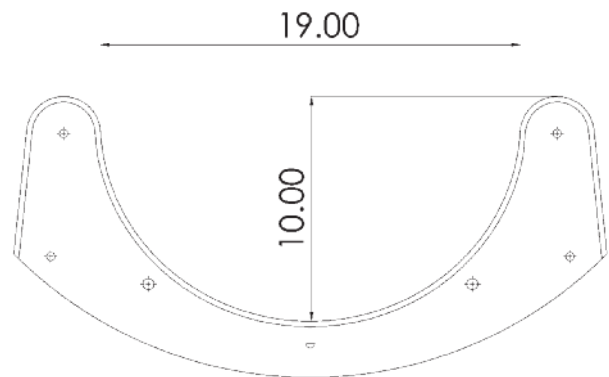
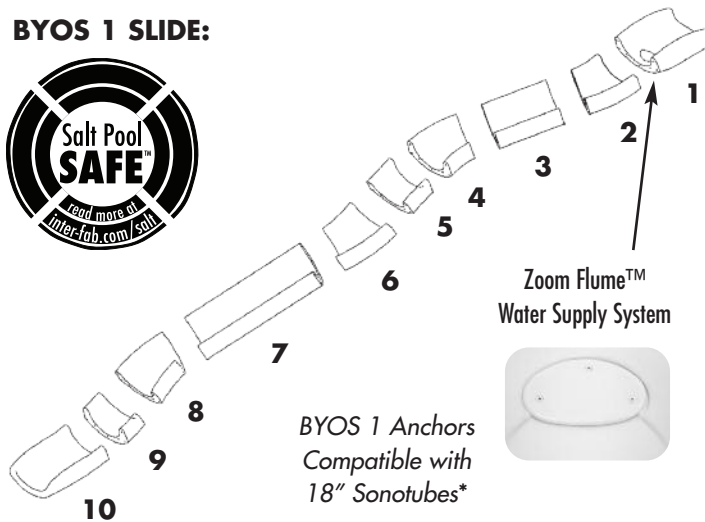
BYOS 2 slides are designed for use in both residential pool applications and commercial pool applications.

Matching Products: The T7 Diving System™, Pool/Spa Table™, Pool/Spa Seat™, Sun Shelf Tables™, and In-Pool Lounger™ are designed to match the Landscape Slide products perfectly for a complete designer pool look.

BYOS FEATURES:

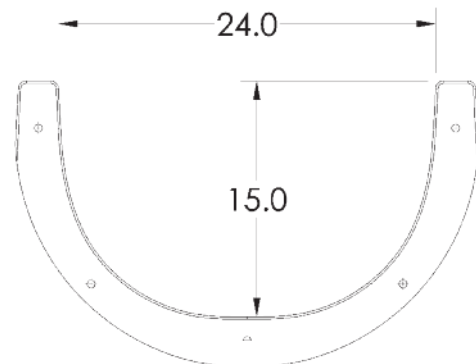
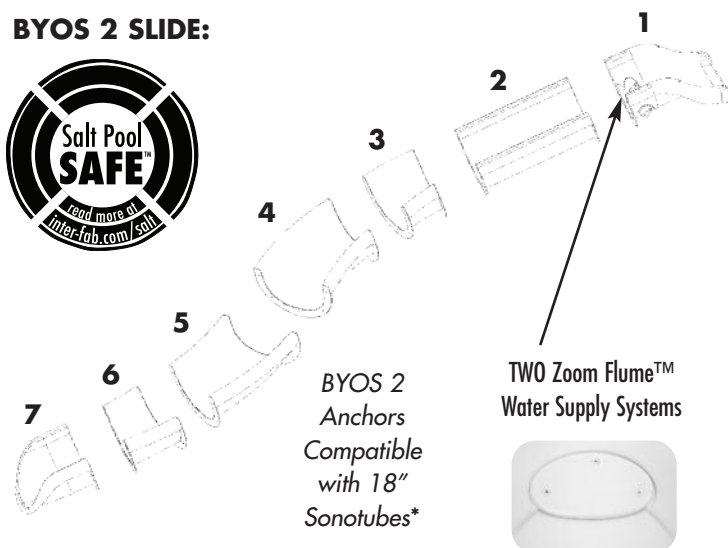
- Collections of Different Flume Sections that can be Used in Various Combinations
- Exclusive Zoom Flume™ Water Delivery System (TWO on BYOS 2 slide)
- Stainless Steel Construction Anchoring System Included
- Stainless Steel Hardware Included
- Optional Handrails Available (Standard on BYOS 2)
- Variety of Earth Tones & Granite Colors Available
- Advanced High-Tech RTM Manufacturing
- BYOS 1 Weight Limit = 250 lbs
- BYOS 2 Weight Limit = 350 lbs.
- BYOS 1 = 20-40 GPM (Actual GPM rating will vary depending on specific pool size and pool equipment used.)
- BYOS 2 = 40-80 GPM (Actual GPM rating will vary depending on specific pool size and pool equipment used.)
- Multiple Patents Pending
- 1 Year Warranty
- See pages 161-164 for BYOS Quote Forms

BYOS 1 SLIDE:



BYOS 1 Flume Dimensions

BYOS 2 SLIDE:



BYOS 2 Flume Dimensions

* Refer to the BYOS 1 & 2 installation manual for details.

RIVER RUN SERIES SLIDES:

A collection of pre-designed BYOS 2 slides in 19', 23', 24' & 29' linear foot length options.

RIVER RUN SERIES SLIDE COLORS AVAILABLE:

Tan: -51; Gray: -52; Summit Gray: -53; Mont Blanc: -54; Pebble: -55;
 Fashion Gray: -56; Cappuccino: -57; Autumn Sun: -58; Safari Sunrise: -59;
 Starry Night: -60; and Seashell: -61

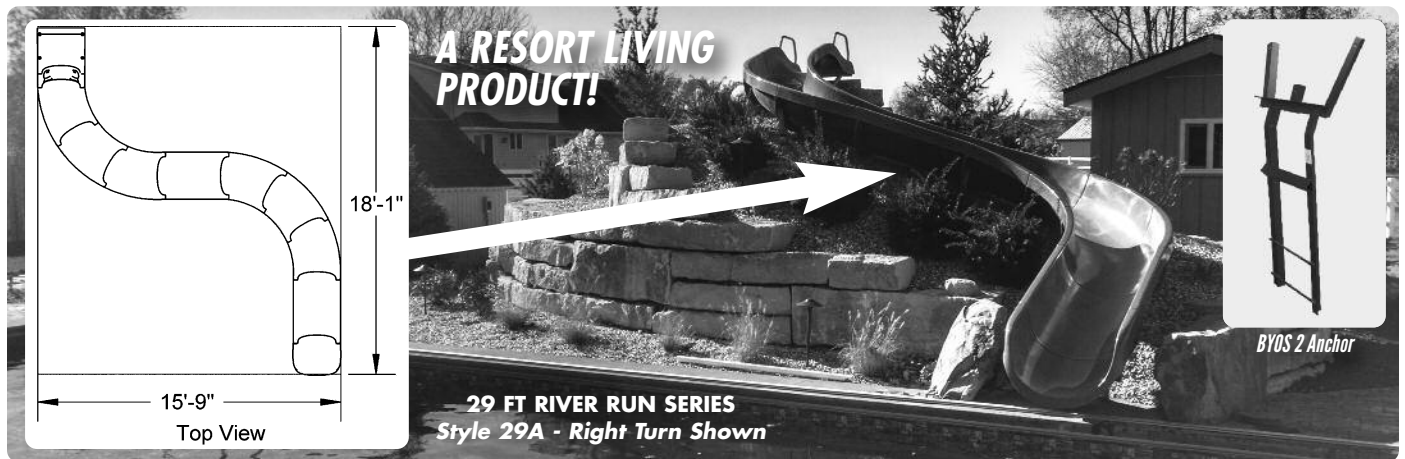
(add custom color code behind part #)

BYOS 2 slides are designed for use in both residential pool applications and commercial pool applications.

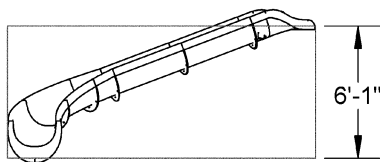
Matching Products: The T7 Diving System™, Pool/Spa Table™, Pool/Spa Seat™, Sun Shelf Tables™, and In-Pool Lounger™ are designed to match the Landscape Slide products perfectly for a complete designer pool look.

RIVER RUN SERIES (BYOS 2) FEATURES:

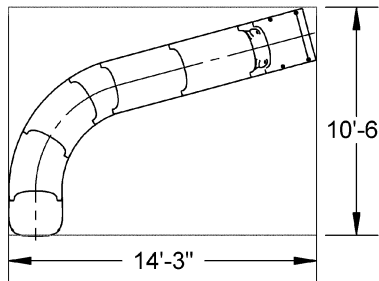
- Pre-Designed BYOS 2™ Slides
- 19', 23', 24' & 29' Linear Foot Length Options
- Each Design Available in Left and Right Turn
- Stainless Steel Anchors Included
- No Quote Process Needed – Easy to Order
- Variety of Earth Tones & Granite Colors Available
- Advanced High-Tech RTM Manufacturing
- BYOS 2 Weight Limit = 350 lbs.
- BYOS 2 = 40-80 GPM (Actual GPM rating will vary depending on specific pool size and pool equipment used.)
- Multiple Patents Pending
- 1 Year Warranty
- See pages 165-166 for River Run Series Product Selection Guide with Part Numbers
- Color Coordinating Products Available:
 T7 Diving System, Tables, & In-Pool Lounger



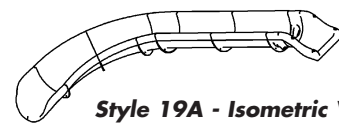
19 LINEAR FEET RIVER RUN SERIES Style 19A - Left Turn Shown



Front View



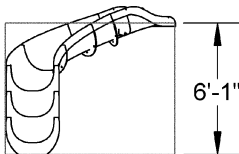
Top View



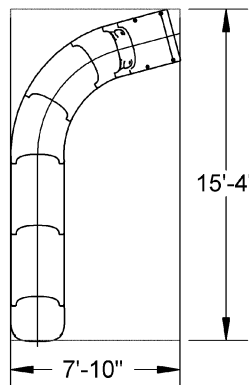
Style 19A - Isometric View

4 BYOS 2 Anchors Supplied

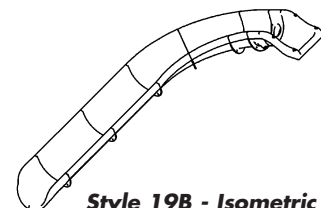
19 LINEAR FEET RIVER RUN SERIES Style 19B - Left Turn Shown



Front View



Top View

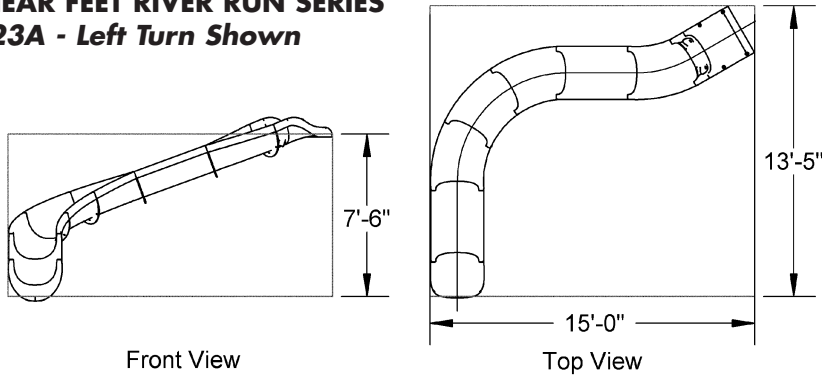


Style 19B - Isometric View

4 BYOS 2 Anchors Supplied

RIVER RUN SERIES SLIDES:

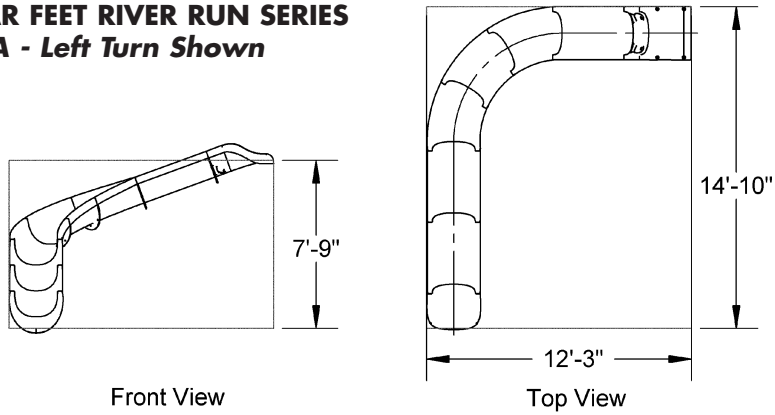
23 LINEAR FEET RIVER RUN SERIES
Style 23A - Left Turn Shown



Style 23A - Isometric View

4 BYOS 2 Anchors Supplied

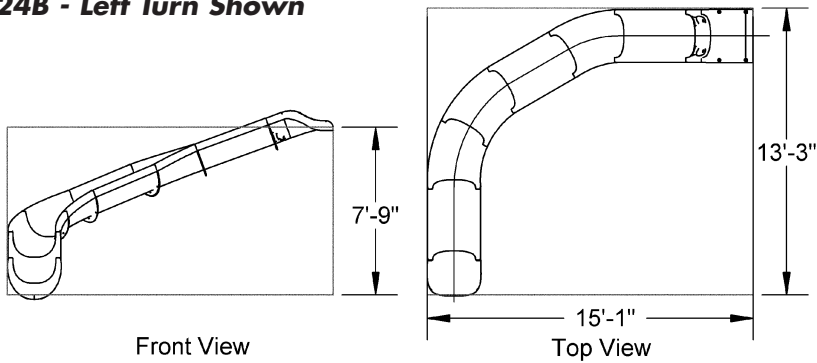
24 LINEAR FEET RIVER RUN SERIES
Style 24A - Left Turn Shown



Style 24A - Isometric View

4 BYOS 2 Anchors Supplied

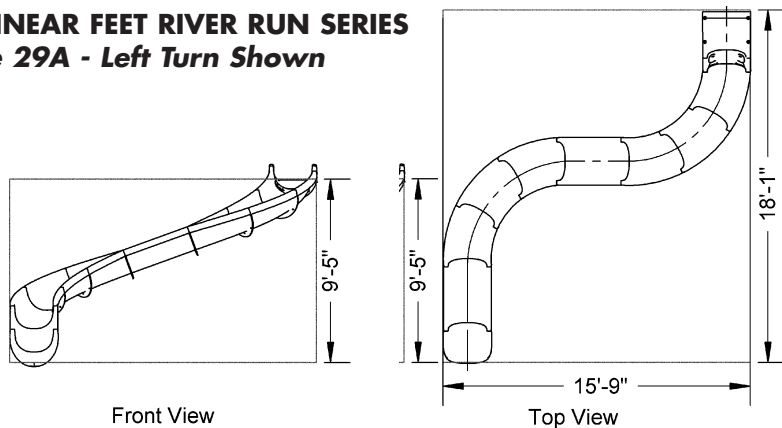
24 LINEAR FEET RIVER RUN SERIES
Style 24B - Left Turn Shown



Style 24B - Isometric View

4 BYOS 2 Anchors Supplied

29 LINEAR FEET RIVER RUN SERIES
Style 29A - Left Turn Shown



Style 29A - Isometric View

5 BYOS 2 Anchors Supplied

RESIDENTIAL SLIDES