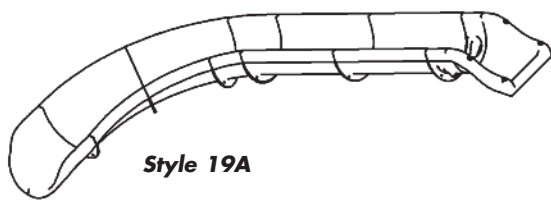


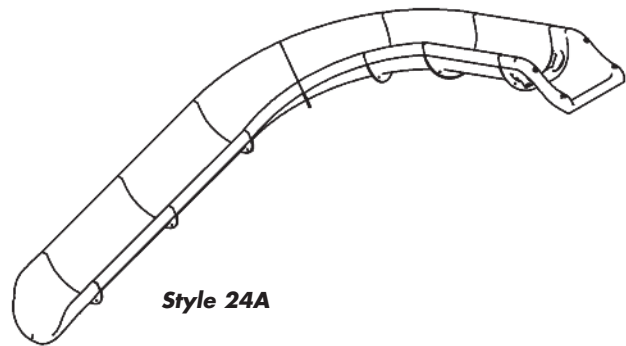


RIVER RUN SLIDE™

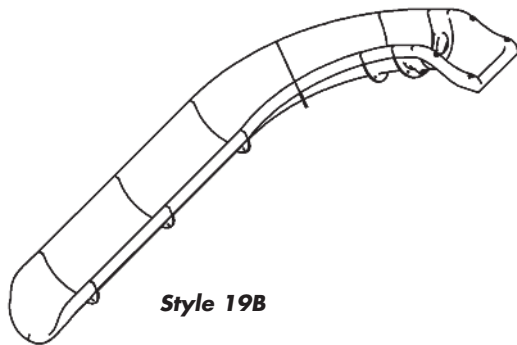
Assembly & Installation Instructions



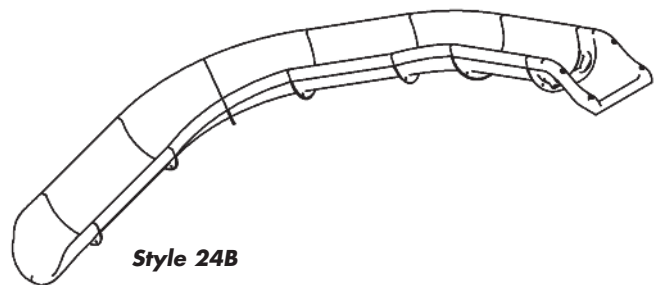
Style 19A



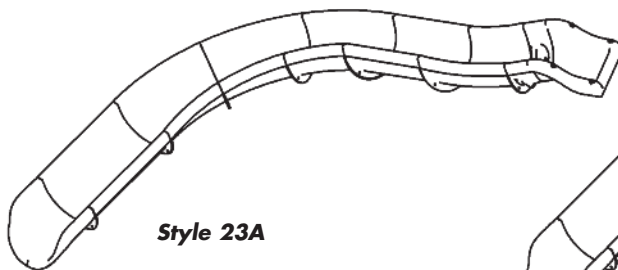
Style 24A



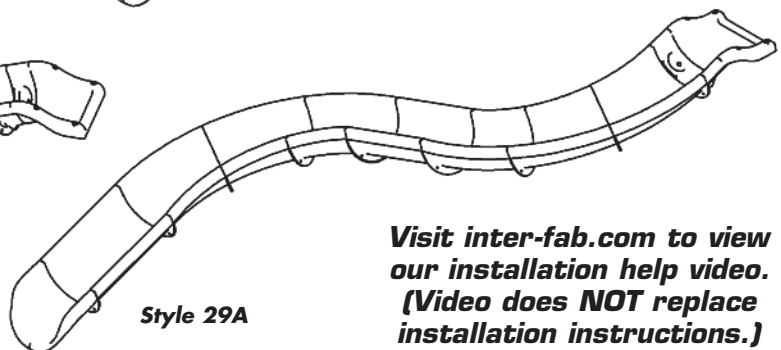
Style 19B



Style 24B



Style 23A



Style 29A

Visit inter-fab.com to view our installation help video. (Video does NOT replace installation instructions.)

WARNING IMPORTANT INSTALLATION INFORMATION

The installation of this product should be done only by a licensed and professional installer. Installation should be done strictly in conformance with all local building codes, electrical codes and other building and safety laws and regulations. Among other things, your installer should carefully analyze the need to bond the product to prevent an electrical hazard. Failure to properly install this product could result in a dangerous condition, including but not limited to electrical or structural hazards. Inter-Fab, Inc. disclaims all liability arising from the installation and the user assumes all risk associated with the installation.

INTER-FAB, INC. 3050 S. ALVERNON WAY • TUCSON, AZ 85713
520.790.7040 • 800.737.5386 • FAX 520.790.7127 • inter-fab.com

RIVER RUN™ LIABILITY DISCLAIMER

Inter-Fab recommends that you read the River Run Installation Manual in its entirety before attempting an installation.

IMPORTANT NOTICES:

- It is highly recommended that provision be made for future maintenance and/or removal of the slide from the substrate, if necessary. Do not fully encase the slide in concrete or permanently fixed structure/material.
- Do not construct objects or formations along or over the slide pathway that obstruct the pathway for sliders or cause potential bodily injury.
- Minimum recommended head clearance above the slide pathway is 7 feet.
- Minimum River Run water envelope is 6.5' wide (centered on slide) x 13.5' long x 4' deep.
- The exit section must be installed with the correct alignment to the pool edge with a minimum overhang of 3" and should be supported at the fiberglass landing plate.
- Zoom Flume™ water delivery system requires a 1" PVC flex hose. For best performance, the recommended water flow at the slide is 20-40 GPM. Connecting a ball valve in line is recommended for water flow adjustment. **NOTE: Connect the Zoom Flume™ water delivery system to water source and test for leaks or defects prior to final assembly/installation.**
- See page 16 of installation manual for River Run Care and Maintenance.



- FAILURE TO INSTALL RIVER RUN PRODUCTS SO THAT THE ENTRY SECTION SUPPORT FRAME IS LEVEL, WILL CAUSE THE DESIGN TO EXCEED THE RECOMMENDED ANGLE OF DESCENT AND MAY RESULT IN PERSONAL INJURY AND/OR PROPERTY DAMAGE. NO INSTALLED RIVER RUN SLIDE SHOULD EXCEED A 20 DEGREE SLOPE.
- FAILURE TO INSTALL THE RIVER RUN SLIDE ANCHOR SYSTEM TO THE MINIMUM DEPTH SPECIFIED IN THE INSTALLATION INSTRUCTIONS OR ALTERATION OF THE RIVER RUN SLIDE ANCHOR SYSTEM WILL CAUSE STRUCTURAL INSTABILITY AND MAY RESULT IN PERSONAL INJURY AND/OR PROPERTY DAMAGE.
- DO NOT DRILL INTO OR THROUGH ANY RIVER RUN SLIDE SECTION OR ANCHOR OR OTHERWISE MODIFY. IT WILL WEAKEN THE PART AND VOID THE WARRANTY.



3050 S. Alvernon Way • Tucson, AZ 85713

520.790.7040 • 800.737.5386 • Fax 520.790.7127 • inter-fab.com

TABLE OF CONTENTS:

River Run Liability Disclaimeri

Intended Use Instructions2

Water Safety Envelope.....3

Slide Placement.....4

Getting Started.....5

Tools Required.....6

Step 1: Preparing Site.....6

Step 2: Flume Assembly6-7

Step 3: Entry Section Anchor Assembly8-9

Step 4: River Run 20° Anchor Information10

Step 5: Move the Slide10

Step 6: Excavate the Holes11

Step 7: Reset Slide in Position.....11

Step 8: Final Slide Position12-14

Step 9: Pour Concrete Piers14

Step 10: Connect Water Supply14

Flume & Anchor Support Hardware.....15

Slide Care & Maintenance.....16

Page for Notes.....17

Inter-Fab Limited Warranty.....18

 WARNING INTENDED USE INSTRUCTIONS

1. Everyone who uses this slide must know, understand and follow these instructions
2. The ANSI/APSP/ICC-5 2011 standard for above ground pools prohibits the use of slides or diving boards on above ground pools.
3. This slide should never be installed on above ground pools, ponds, floating docks or platforms, boat docks or houseboats or any natural body of water.
4. Be familiar with the shape and depth of the pool before you slide. This slide should only be used with the proper water safety envelope, as described in Diagrams A, B & C on page 3 and in accordance with the slide positioning diagrams on page 4.
5. Because the slide may only be used in water 4' deep or greater, all slide users must be able to swim in deep water.
6. Weight limit for this slide is 350 pounds, no slider weighing more than 350 pounds may use this slide.
7. The surface of the slide is very slippery when wet; **USE CAUTION** when entering the slide and when transitioning from standing to sitting.
8. Slide in a feet first sitting position **ONLY**.
9. **IMPORTANT: sliding headfirst is prohibited:** serious spinal injury resulting in paralysis or death can result.
10. Maintain adult supervision at all times.
11. Only one person at a time is allowed on the slide.
12. Be sure the water delivery system is on and lubricating the slide prior to use.
13. Collision with another swimmer or a diver can result in serious injury or death for one or both persons: Before sliding, always make sure that the path in front of the slide is free from any (including submerged) obstructions including other people or objects in the pool such as rafts, inner tubes etc. When a diving board is also present, make sure you do not use the slide while someone is on or using a diving board. Take turns.
14. No roughhousing or horseplay should be allowed on the slide at any time.
15. Do not stand, jump or dive from any part of the slide.
16. Do not slide on objects such as rafts or inner tubes. doing so greatly increases your risk of injury.
17. Do not slide through or at objects such as rafts or inner tubes, doing so greatly increases your risk of injury.
18. Do not use this slide if physically impaired or handicapped without your doctor's permission.
19. Do not use this slide with a history of heart conditions, seizures, back problems, fainting or fear of heights.
20. Do NOT use this slide if you are pregnant.
21. Do not drink alcohol and use this slide.
22. Don't take chances, inspect the slide at least once a year (see the slide inspection list on page 16, do not use the slide if any part becomes loose, damaged, weakened or broken. If necessary, before using the slide again, have it inspected and repaired by a competent professional familiar with pool slides.

WARNING: SERIOUS INJURY OR DEATH CAN RESULT FROM THE IMPROPER INSTALLATION OR USE OF THIS SLIDE.



When installed according to these instructions, this slide conforms to Consumer Product Safety Standard Guidelines.

WATER SAFETY ENVELOPE:

A minimum water depth of three feet (3') under the exit of the slide which increases to a depth of four feet (4') at point A which is located four feet six inches (4'6") from the back wall of the pool. A minimum depth of four feet (4') must be maintained over a span of nine feet (9') continuing from the centerline of the slide from point A. The above described water depth profile shall extend a minimum of three feet three inches (3'3") on either side of the centerline continuing from the slide. (See Diagrams A, B & C)

DIAGRAM A
(NOT TO SCALE)

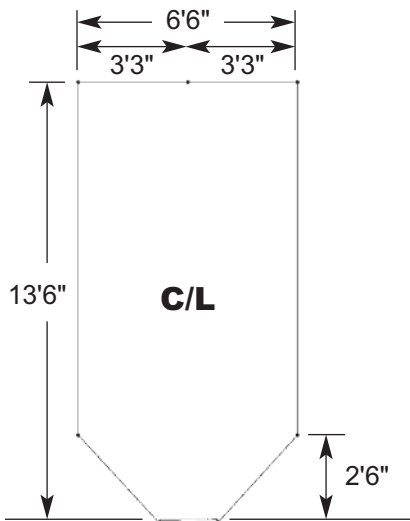
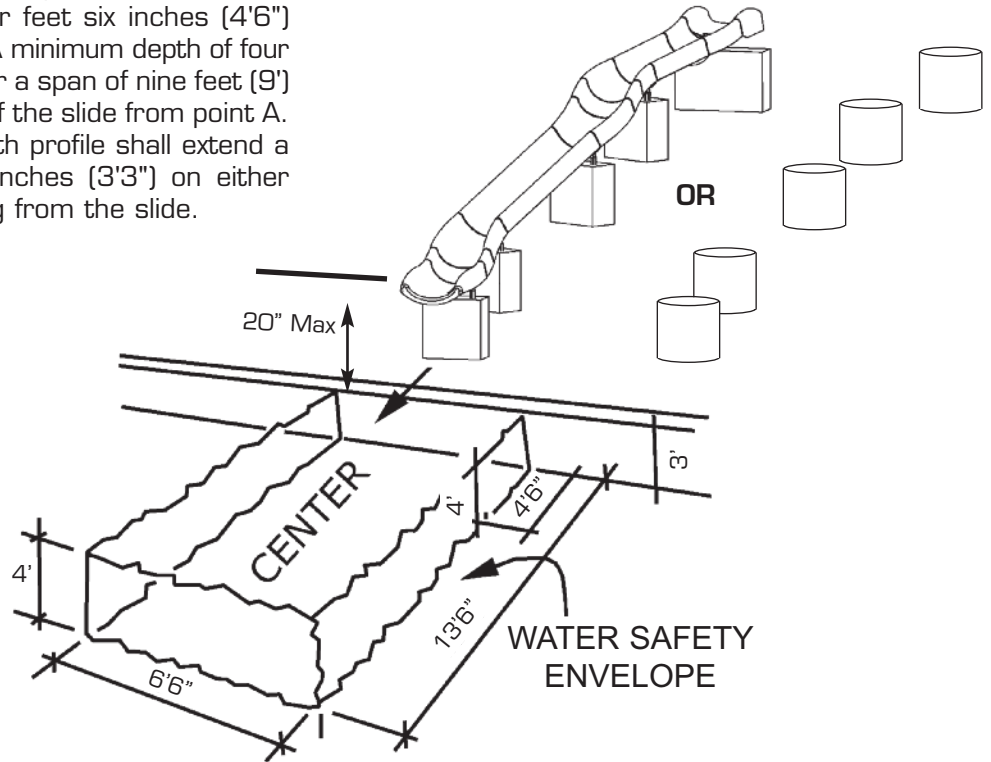
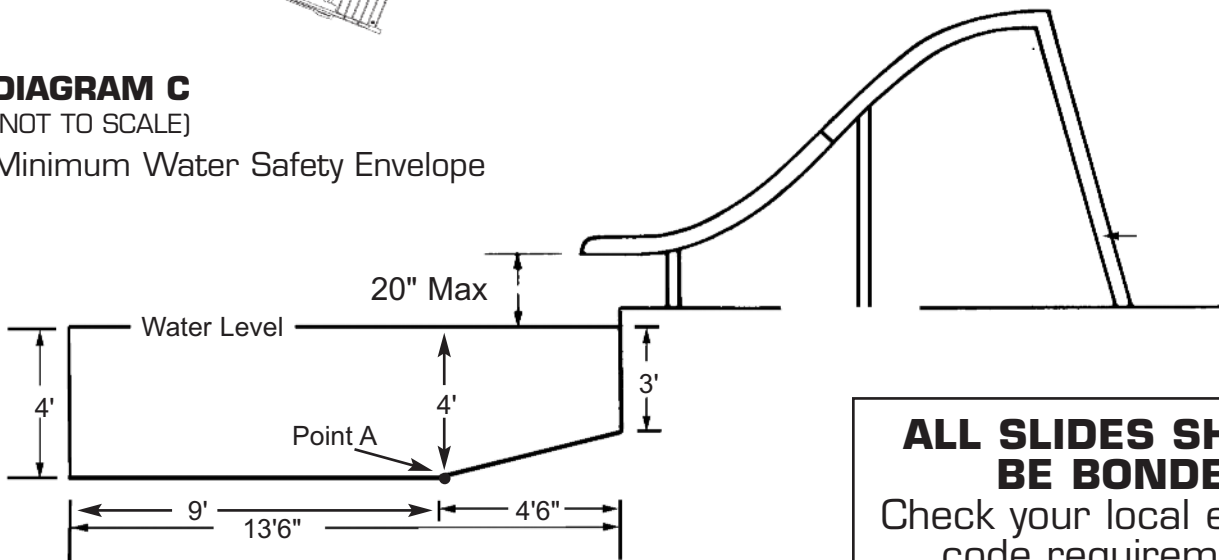


DIAGRAM B
(NOT TO SCALE)
Minimum Slide
Clearance Area

DIAGRAM C
(NOT TO SCALE)

Minimum Water Safety Envelope



**ALL SLIDES SHOULD
BE BONDED**
Check your local electrical
code requirements.

SLIDE PLACEMENT

If the slide meets the pool edge at an angle, then the outside curve "Pivot A" has to be at the pool edge. **Refer to Diagram D & E below.**

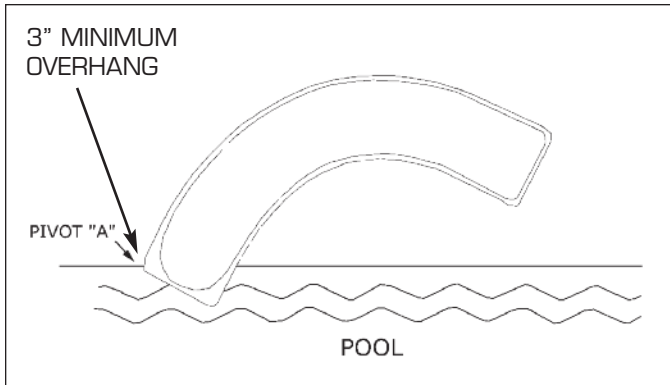


DIAGRAM D
(NOT TO SCALE)

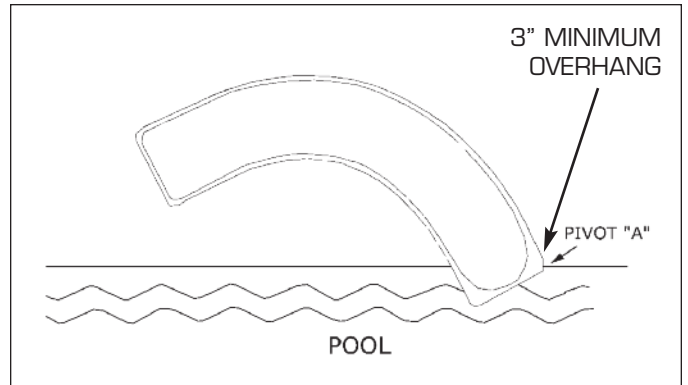


DIAGRAM E
(NOT TO SCALE)

If the slide meets the pool edge straight on, then the end of the exit section should be parallel with the pool edge. **Refer to the Diagram F below.**

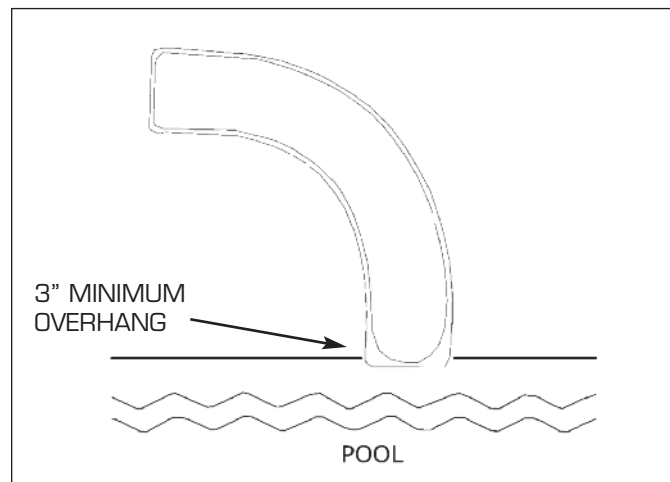
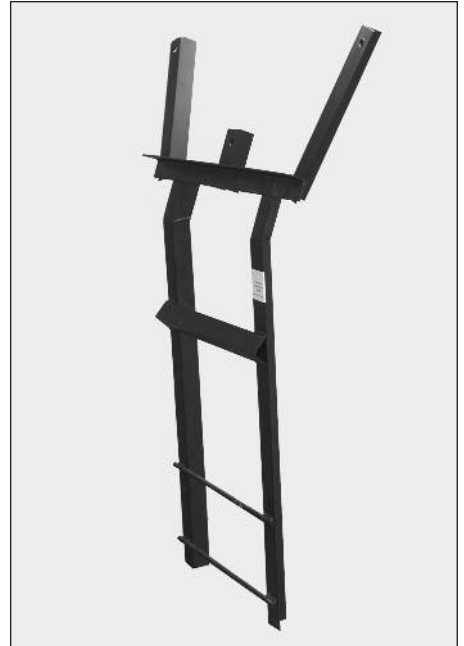
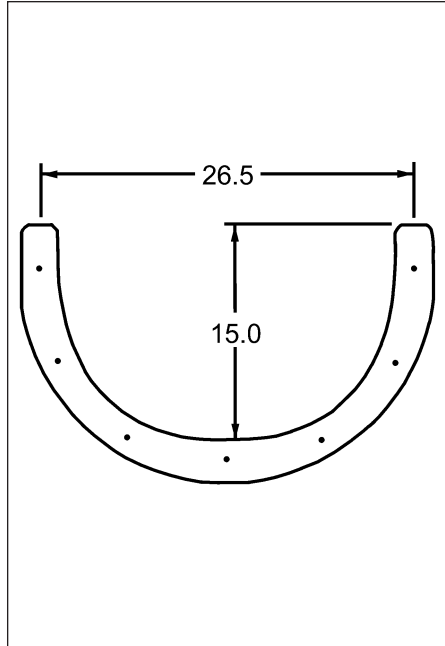
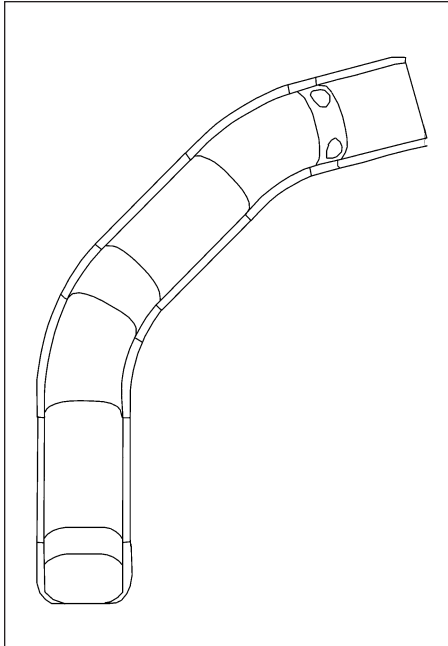


DIAGRAM F
(NOT TO SCALE)

NOTE: The exit point of the flume can be no higher than 20" above the water.



GETTING STARTED

Inter-Fab recommends that you read these instructions and helpful hints in their entirety before attempting an installation.

IMPORTANT NOTICES:

- It is highly recommended that provision be made for future removal of the slide from the substrate, if necessary.
- The sizes of the concrete piers for the anchor supports specified herein are minimum measurements required for the River Run™, and may need to be increased due to local weather, soil conditions, frost line and/or local building codes.
- For best performance, the recommended water flow at the slide is 80 GPM total, 40 GPM per side.
- Zoom Flume™ water delivery system requires a 1" PVC hose. **NOTE:** a ball valve in line on each side is recommended for water flow adjustment.
- Do not construct objects or formations along or over the slide pathway that obstruct the pathway for sliders or cause potential bodily harm. Minimum recommended head clearance above the slide pathway is 7 feet.
- Minimum River Run™ water envelope is 6.5' wide (centered on slide) x 13.5' long x 4' deep. (See Water Safety Envelope - Page 3)
- The exit section must be installed with the correct alignment to the pool edge and should be supported at the fiberglass landing plate.
- The surface of the slide is very slippery when wet, use caution when entering the slide. Utilization of the provided seating assist rails is recommended for the transition from standing to sitting.

LIST OF REQUIRED TOOLS

Tools required for assembly and installation of River Run™ slide:

- | | |
|---------------------------------|------------------|
| 1. 3/8" Drive Ratchet | 5. Torque Wrench |
| 2. 3/8" x 6" Socket Extension | 6. Angle Finder |
| 3. 9/16" Socket | 7. Tape Measure |
| 4. 9/16" Box End Ratchet Wrench | 8. 48" Level |

ASSEMBLY AND INSTALLATION INSTRUCTIONS

STEP ONE: Preparing site area for River Run™ slide system.

First, level the hill substrate to the approximate final grade.

TIP:

- The exit section should be supported at the fiberglass landing plate. **(Fig. 1)** The exit plate can simply rest upon the substrate or be drilled from the side and bolted to a bracket *(not supplied)*.

NOTE: Build the support for the exit landing in the correct orientation and at the correct height prior to setting the fully assembled slide in place.

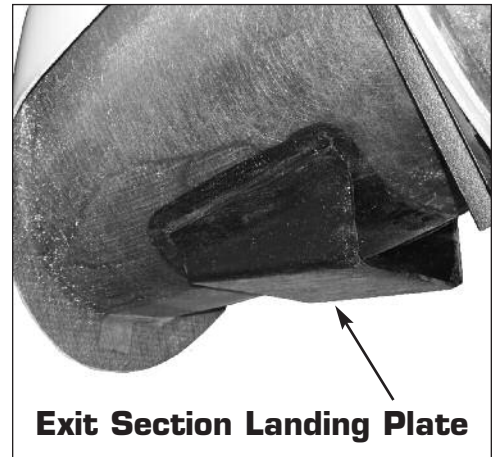
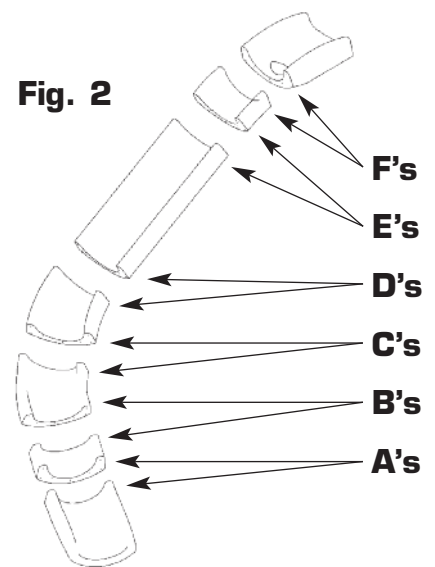


Fig. 1

STEP TWO: Flume assembly.

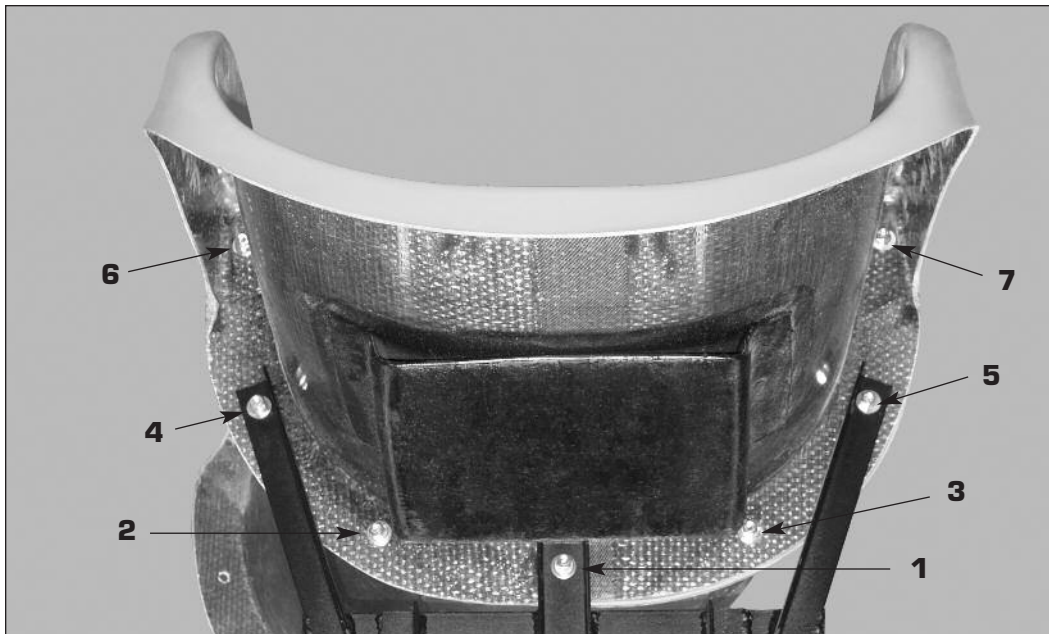
Starting with the exit section, assemble the slide on the ground, right side up along actual pathway where the slide will reside **(be careful not to scratch the slide)**. Attach the exit section anchor support, followed by the next flume section in the correct order of the slide pathway. To help identify the flume sections for the correct order of assembly, there are stickers attached at each flange end of each flume section. For example, attach the letter A end of the exit section to the letter A end of the next flume section of your River Run slide. **(Fig. 2 - sample only)** Attach the anchor supports in the specified locations as you build uphill and away from the pool. Stickers are attached to the side of the flange connection that the anchor support will connect to.



NOTE: Anchor support locations are noted on a separate sheet (included) that is specific to your exact slide design. There are stickers attached to the correct flume piece to indicate which side of the flange you need to connect the anchor support to.

STEP TWO: Flume assembly - CONTINUED**TIPS:**

- **Make sure to use Anti-Seize on all bolts.**
- Be careful not to allow dirt to get into the water delivery system on the entry section.
- Gasket end of each flume section goes downhill.
- The Entry Frame Support bolts to the inside of the Entry Section. There are three 3/8" bolts, one on each side, and one in the center.
- Anchor supports attach to the down slope side of the flange. **(Fig. 3)**
- Each flange has 7 bolts (Kit BYOS2-102-SS). All bolts are 3/8" x 1-3/4". Use Anti-Seize (in BYOS2-101-SS) on all bolts.
- Insert bolts in this order: bolt, flat washer, flanges, flat washer, lock washer, nut. On flanges that require anchor supports insert bolts in this order: bolt, flat washer, flanges, anchor support, flat washer, lock washer, and nut.
- Insert and hand tighten all seven flange bolts. Then, utilizing a torque wrench, tighten each nut to approximately half of the maximum 25 ft. lbs. Tighten the bolts in an alternating fashion working from left to right starting with the center bolt, working your way up the flange **(Fig. 3)**. Repeat this same tightening process until the specified 25 ft lbs is reached on each bolt. **Do not over tighten.** Using greater force may fracture the fiberglass. **Tightening the bolts in this sequence is necessary to compress the gasket evenly.**

**Fig. 3**

STEP THREE: Entry section anchor assembly.

Attach handrails first. Handrails are directional; the side with the 2 bends faces away from the pool. (Fig. 4)

The River Run Frame Support consists of 1 entry frame support, 1 right support arm and 1 left support arm. The assembly is attached to the River Run Entry Section with the hardware kit BYOS2-101-SS. (Fig. 5)

Carefully turn the River Run Entry Section upside down (on cardboard) and sit the anchor upright into position as shown. (Fig. 6 & 7)

Using 4 each 3/8"x1" bolts, attach the anchor to the entry section. Use a flat washer on each side of the part and anchor. Pass the bolt through from the outside of part toward the underside and add a lock washer and a nut to each bolt. Hand tighten only. Attach next flume section after entry and 20° anchor on the downhill side of assembly.

Attach right and left arms as shown. The arms are attached at this point only to the entry frame support using 2 each 3/8"x1" bolts with flat washers, lock washers and nuts. Hand tighten only. **NOTE: The other end of the right and left arms attach to the 20° anchor as shown in Fig. 8 & 9. Hand tighten only.**

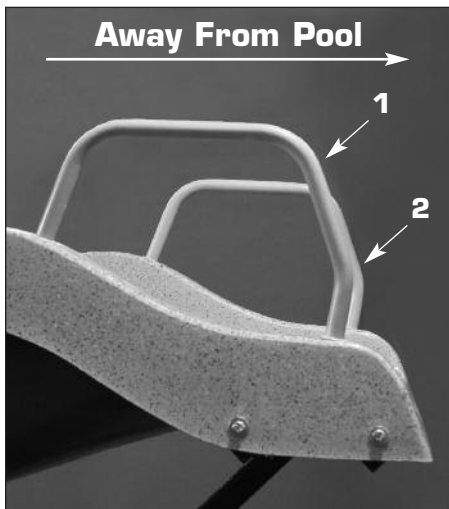


Fig. 4



Fig. 5



Fig. 6

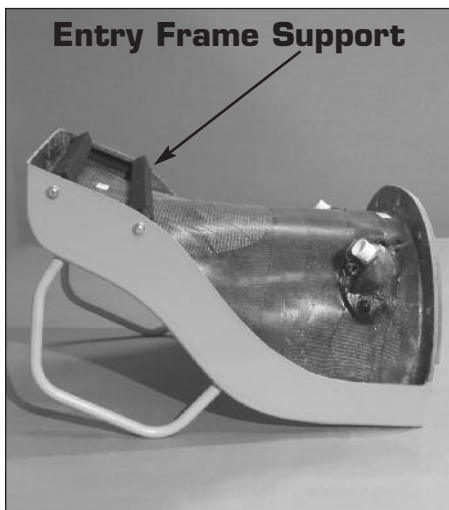


Fig. 7



Fig. 8



Fig. 9

STEP THREE: Entry section anchor assembly - CONTINUED

The 20° support must have a minimum concrete embedment depth of 24" from bottom of anchor as shown in **Fig. 10**. Anchor may be mounted in ground or with minimum 18" diameter tube.

When oriented correctly, the bottom of the entry frame support will be level as shown in **Fig. 11**.

The vertical portions of the support frame should be plumb (level in both axis). See **Fig. 12 & 13** below.

NOTE: When slide is assembled and leveled as per instructions, the bolts on the entry support frame and anchors may be tightened.

TIP: Once all the flume sections are assembled and the flange bolts are correctly tightened, do a water test with a garden hose to ensure there are no flume to flume leaks.



Fig. 10



Fig. 11



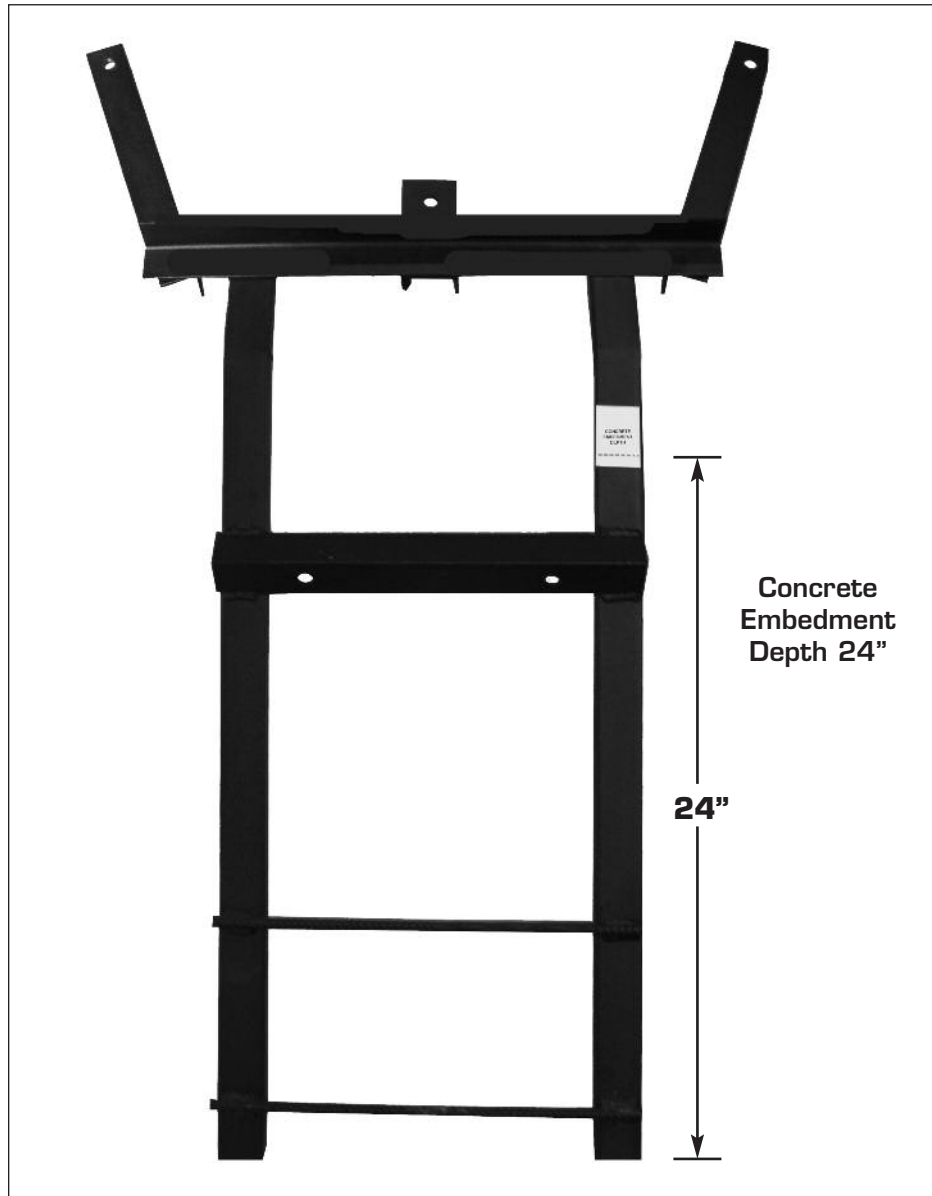
Fig. 12



Fig. 13

STEP FOUR: 20° Anchor information.

The following information is for the River Run 20° anchor and should be reviewed before proceeding onto the next step. Our 20° anchor is designed to allow easier use with concrete tube forms. The length of our River Run flume anchors allow room for concrete chutes when using concrete tube forms in a River Run installation. This anchor design will provide more flexibility in installation options and make your River Run installations even easier. **(Fig. 14)**

**Fig. 14****STEP FIVE: Move the slide.**

Once the entire slide is assembled and resting on the anchor supports in its **correct horizontal position on the pathway**, use spray paint to carefully mark the location of the anchor supports. Next, with sufficient manpower, gently move the assembled slide (*if possible*) approximately 3 feet to one side.

STEP SIX: Excavate the holes.

Pier holes for the 20° flume anchor supports should be a minimum of 12” long, 24” wide and 24” deep, or minimum 18” diameter tube.

⚠ WARNING

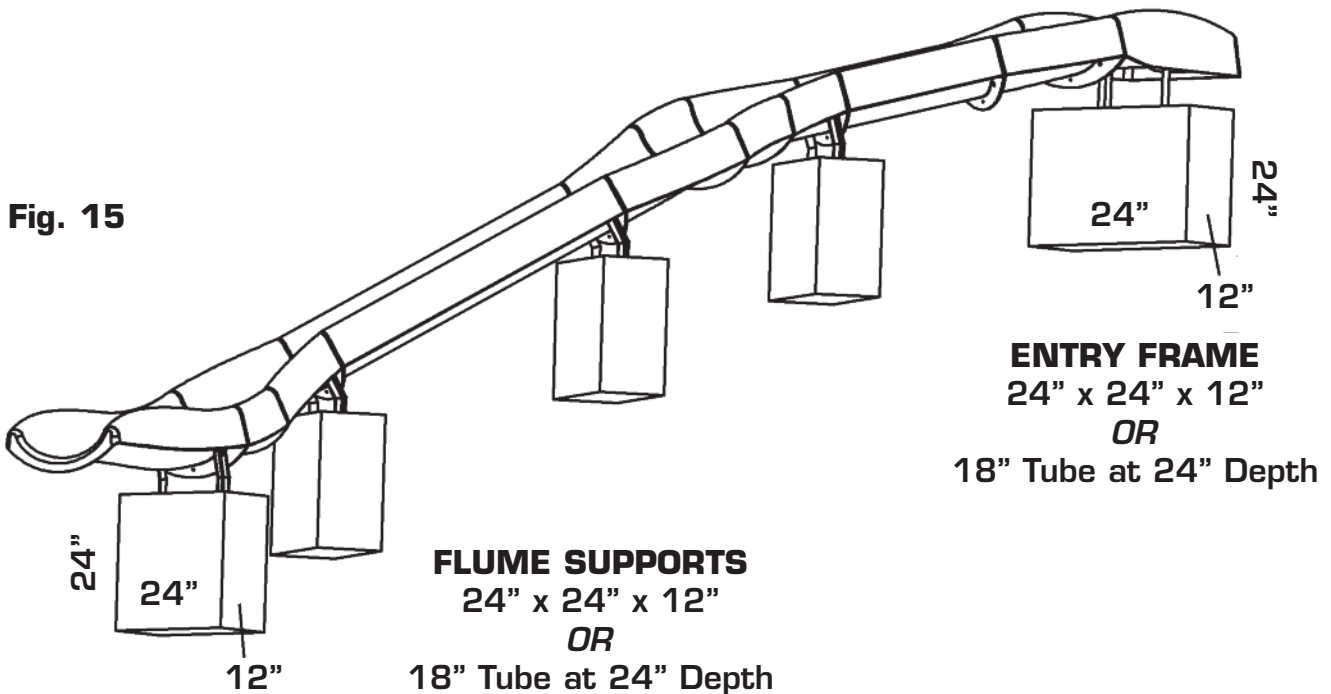
The above specified sizes for the concrete piers represent a minimum and should be increased due to local weather, soil conditions, frost line and/or local building codes. Anchor supports shall be bonded. Refer to your local building/electrical code requirements.

STEP SEVEN: Reset the River Run™ in position.

Ensure sufficient blocking material is on hand, then utilizing sufficient manpower; lift the assembled slide back into its correct horizontal and vertical position and block in place.

At this point, the anchor supports should be directly over, centered and within the holes for the piers or tubes, adjust hole location as necessary at this time. The angle iron cross member will be approximately 4” below final concrete grade for correct anchor embedment depth. **(See Fig. 14) NOTE: It is essential that the vertical portions of the anchors are plumb.**

With the exception of the exit section landing plate **(Fig. 1)**, make sure that a minimum 3 inch clearance is maintained between any portion of the underside of the slide (including the flanges) and the substrate. Based on the slider’s weight and velocity the slide can move slightly both vertically and horizontally. If the slide rubs upon the substrate due to this motion a wear spot and/or leak can develop.



STEP EIGHT: *Final slide position.*

It is essential that the slide be in its correct horizontal and vertical position prior to pouring concrete; and since the pool cannot be moved, start checking position with the exit section first. Starting with and then ensuring that the exit section is installed correctly is absolutely necessary for a successful installation.

The exit section must meet the pool edge at the correct elevation, in the correct orientation and be level in both axes (**Fig. 16 & Fig. 17**). When determining level position for the exit section please note that the exit section starts with a 20° up slope, which then makes a gradual transition to 7° the exit point. Check for level position only as illustrated below.

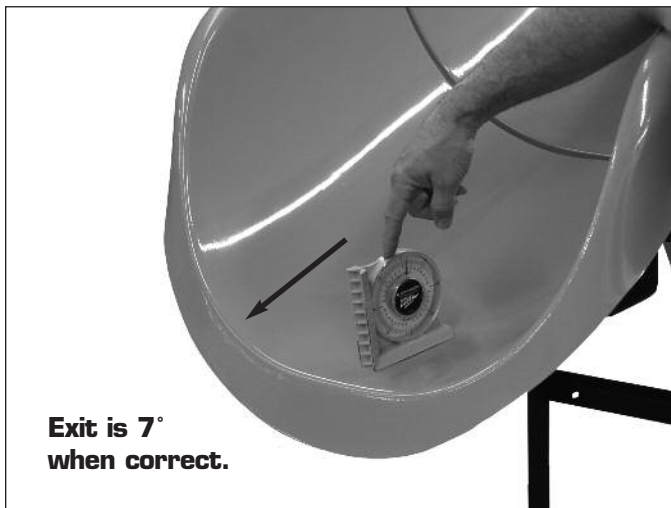


Fig. 16

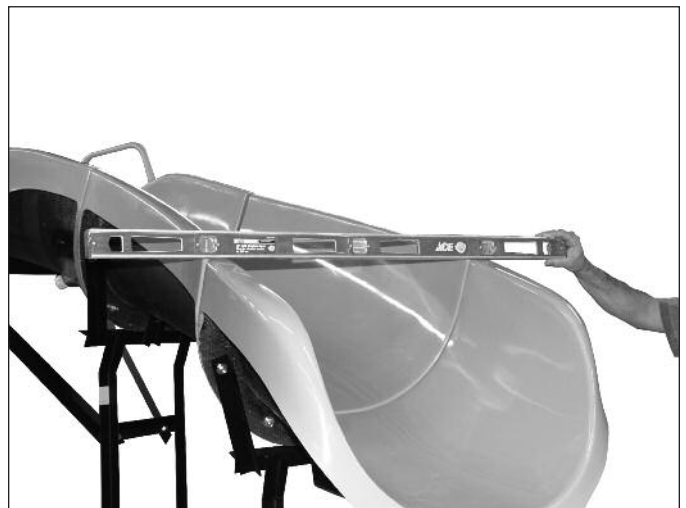


Fig. 17

Utilize an angle finder along the centerline of the flume ensure the flume is at the correct angle. Check the angle along the centerline of the flume only. (**Fig. 18**) *(Continued on next page)*

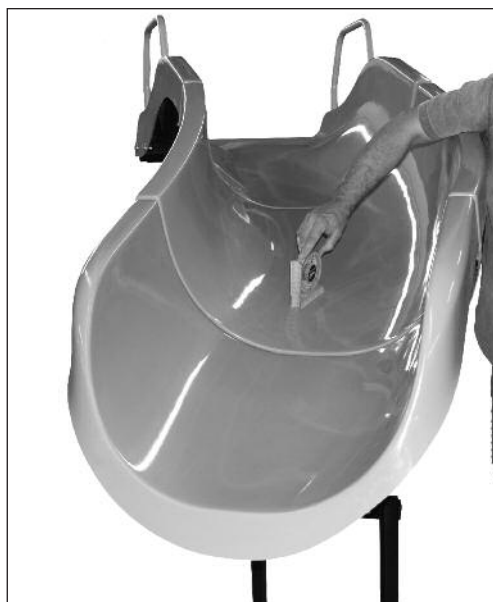


Fig. 18

STEP EIGHT: *Final slide position - CONTINUED*

When checking for the correct flume angle keep the below in mind:

- Each slide section is identified on the underside.
- The exit section starts at 20° on the up slope end which then makes a gradual transition to 7° at the exit point.
- The entry section seating area is almost flat, however, for proper drainage it incorporates a slight downhill slope which transitions to a full 20°. To ensure correct placement of the entry section the entry frame support must be level to ensure correct orientation of the slide. **(Fig. 19 & 20)**

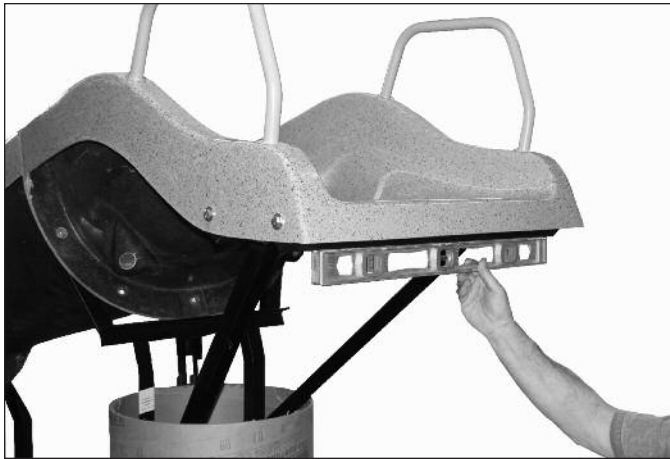


Fig. 19

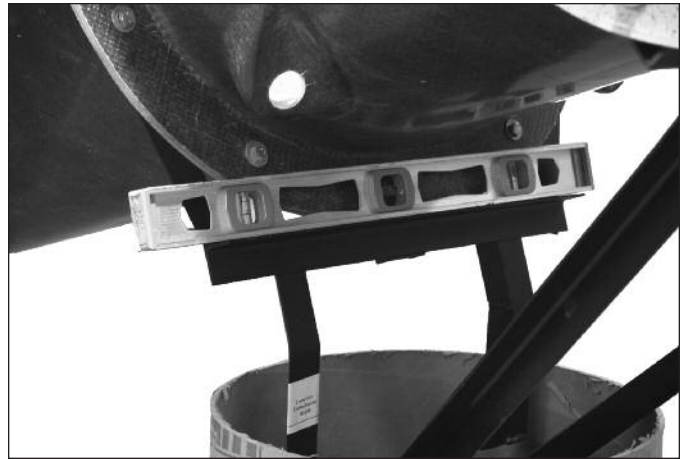


Fig. 20



Fig. 21

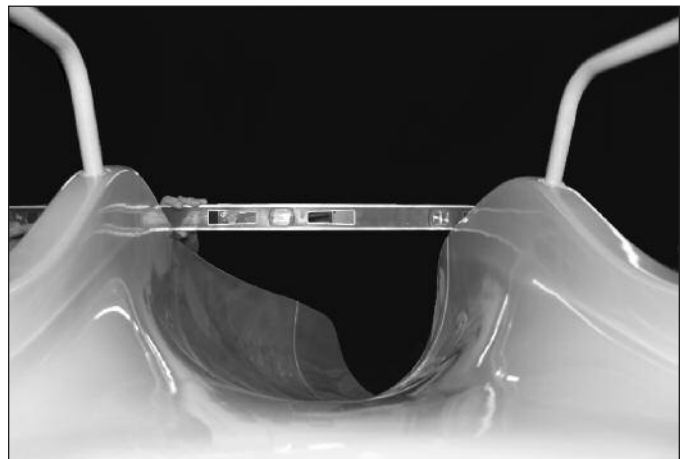


Fig. 22

The sides of the flumes should be checked for level as well. The only place along the flume where level positions can be determined is at the flange/gasket locations. Place level across the flume at the flume joint as illustrated. **(Fig. 21 & 22)** Check each flange location for level position, adjust as necessary.

TIPS FOR SETTING THE SLIDE IN FINAL POSITION:

- It may take a series of adjustments to get the slide in its correct position.
- At this point the entire slide should be assembled, anchor supports attached and all bolts correctly tighten. The slide should be blocked up in its approximate horizontal and vertical position. *(Continued on next page)*

STEP EIGHT: *Final slide position - CONTINUED*

TIPS FOR SETTING THE SLIDE IN FINAL POSITION - CONTINUED

- Now, put exit section is in its correct horizontal and vertical position relative to the pool edge by adjusting the blocks.
- Then, start at the top of the slide and work down using an angle finder along the center of the flume, adjust the blocks to achieve the correct 20° angle for the flume.
- Once the angle for the flume is set correctly, re-check the position of the exit section for alignment and height above water, adjust as necessary.
- Then, start at the top of the slide and work down, adjust the blocking materials to level the flume from side to side.
- Once the flume is level from side to side, re-check the position of exit section for alignment and height above water, adjust as necessary.
- Repeat this process until the entire slide is correctly positioned.

STEP NINE: *Pour concrete piers.*

Once the correct horizontal and vertical position of the slide have been established and verified, pour the concrete around anchor supports and ***allow to cure.***

STEP TEN: *Connect water supply system.*

The River Run™ slide can be plumbed with rigid 1" PVC pipe or with 1" Flex PVC, you may find that Flex PVC works best.

Glue and slip pipe into the 1" female fittings on the underside of the Entry section. **(Fig. 23 & 24)** Use PVC primer and glue (not included) as required.

The River Run™ has two water delivery units. *A ball is valve recommended on each side to evenly adjust the water flow.*

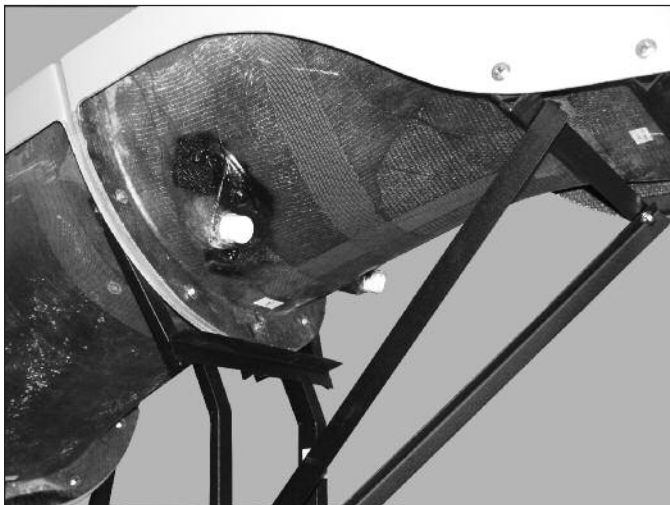


Fig. 23



Fig. 24

RIVER RUN™ FLUME & ANCHOR SUPPORT HARDWARE

The entry frame support anchor comes with a part specific hardware kit. **Use hardware set BYOS2-101-SS.**

The 20° support anchors all attach to flume sections using the **hardware kit BYOS2-102-SS.**

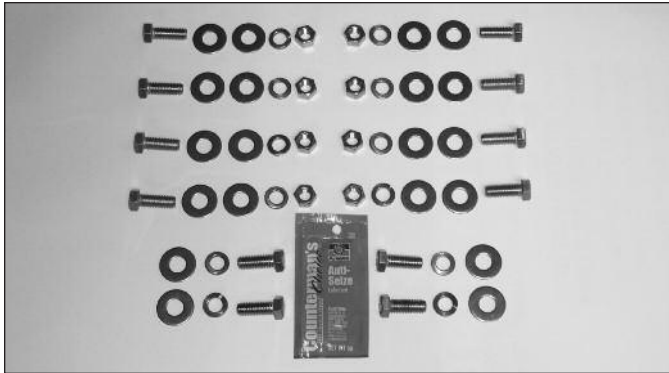


FIG. 25 (BYOS2-101-SS)
Entry Section/Handrails SS Hardware Kit

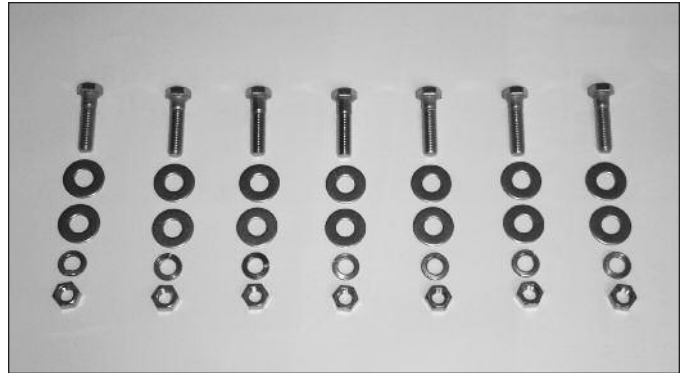


FIG. 26 (BYOS2-102-SS)
Flume to Flume SS Hardware Kit

BYOS2-101-SS – ENTRY SECTION/HANDRAILS SS HARDWARE KIT		
QTY	PART NUMBER	COMPONENT DESCRIPTION
12	H-SS 3/8X1 HB	3/8"-16X1" Hex Bolt Stainless Steel
20	H-SS 3/8 FLT WA	3/8" MS 815 Flat Washer Stainless Steel
12	H-SS 3/8 LOC WA	3/8" Lock Washer Stainless Steel
8	H-SS 3/8 F NUT	3/8" Hex Nut Stainless Steel
1	H-ANTI-SEIZE	Single Use Anti-Seize Packet

BYOS2-102-SS – FLUME TO FLUME SS HARDWARE KIT		
QTY	PART NUMBER	COMPONENT DESCRIPTION
7	H-SS 3/8X1-34	3/8"-16X1-3/4" Hex Bolt Stainless Steel
14	H-SS 3/8 FLT WA	3/8" MS 815 Flat Washer Stainless Steel
7	H-SS 3/8 LOC WA	3/8" Lock Washer Stainless Steel
7	H-SS 3/8 F NUT	3/8"-16 Hex Nut Stainless Steel

HARDWARE NOTE:
Use a small dab of anti seize lubricant (included) on all bolt threads.

ADDITIONAL ANTI-SEIZE NOTICE:

Inter-Fab adds additional anti-seize packets to River Run™ shipments, as follows:

1–5 sections: 1 packet, included in the BYOS-101-COMBO or BYOS2-101-SS kit.

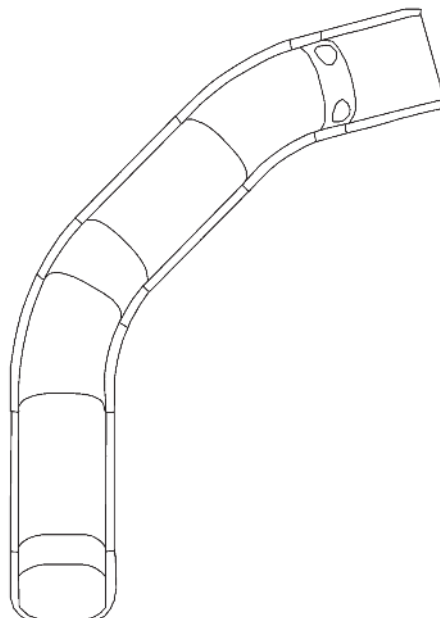
6–10 sections: +1 packet, added to last section before exit*.

* *River Run™ exits do not have hardware.*

RIVER RUN™ SLIDE CARE & MAINTENANCE:

Your River Run™ slide requires periodic maintenance to keep it looking like new and protected from the elements.

- **Wash slide monthly or more frequently if needed using a mild soap and soft brush or cloth. Keep cleaning materials from entering pool.**
 - Do not use abrasive cleaners, bleaches, chlorines, high alkaline or strong acidic cleaners.
 - Do not use steel wool, wire brushes, metal scrapers, Scotchbrite or other abrasive sponge pads.
- **Keeping your slide's gel coat finish coated with wax - starting when the slide is new - is the best way to prolong its life.**
 - Choose a wax intended for use on gel coat surfaces. Preferably one designed for use in a Marine environment.
 - Test product on small inconspicuous section of slide prior to full application.
 - While application instructions will vary between brands of wax, in general you apply the wax with a cloth or foam pad using circular motion. Once wax dries to a haze, buff the excess with a soft dry cloth.
 - Routine waxing (at least twice a year) will maintain the smooth reflective surface of your slide.



LIMITED WARRANTY

River Run™ Slide One (1) Year Limited Warranty

What is covered by this warranty?

Inter-Fab, Inc warrants all products it manufactures to be free from defects in materials and factory workmanship for a period of 12 months. This warranty extends to the original retail owner and begins from the date of retail purchase and is not enforceable by any other party.

This warranty is contingent upon the proper use and care of the equipment, and does not cover equipment that has been modified or has been subjected to abusive physical or environmental stresses. Inter-Fab agrees to repair or replace, at its sole discretion, any product that fails to perform as specified. This warranty relates only to defects in materials and workmanship and does not include damage or failure resulting from other causes, including, but not limited to acts of God, misuse or abuse, accident or negligence, fire, improper installation or ice damage. This warranty does not apply to fading of materials, microbiological staining and rust or corrosion of any metallic parts. Refer to Inter-Fab River Run™ Slide Care and Maintenance instructions for regular maintenance and cleaning. In the event that products are altered or repaired by anyone without the prior written approval of Inter-Fab, all warranties are voided.

What is not covered by this warranty?

Normal wear and tear, chemical damage, discoloration, misuse and any physical damage are not included in this warranty. Inter-Fab, Inc shall not be responsible for the cost of removal or replacement of any defective product, nor for any other expenses such as loss of time, inconvenience, incidental expenses, telephone calls, labor, material charges, or travel incurred in connection with the removal or replacement of such product.

How to make a warranty claim:

Contact Inter-Fab, Inc, 3050 S Alvernon Way, Tucson, AZ 85713 (800) 737-5386

Your Rights Under State Law: *This warranty gives you specific legal rights, and you may also have other rights, which vary from state to state. Inter-Fab, Inc disclaims all liability for damage during transportation, for incidental, special or consequential damage of whatever nature, for damage due to handling, installation, or improper operation, or for damage caused by circumstances beyond Inter-Fab's control; in no event shall recovery of any kind against Inter-Fab, Inc be greater in amount than the purchase price of the equipment sold by Inter-Fab, Inc. that caused alleged damage. Inter-Fab, Inc. **makes no warranties either expressed or implied, including any warranty of merchantability or fitness for particular purpose, other than these stated.** Some states do not allow the exclusion or limitation of incidental or consequential damages, or limitations on how long an implied warranty lasts, so the above exclusions may not apply to you. **No representative has authority to change or modify this warranty in any respect.***



3050 S. Alvernon Way • Tucson, AZ 85713

520.790.7040 • 800.737.5386 • Fax 520.790.7127 • inter-fab.com