



# 2018 GARDEN RIDE SLIDES

## A SERIES OF PRE-DESIGNED SLIDES



### WHAT IS IT?

- 7', 10', and 15' Centerline Length Options
- Each Design Available in Left and Right Turn
- Optional Support System Mounts in or on a Concrete Pad
- Powder Coated Handrails
- 11 Custom Colors Available
- Color Coordinating Products Available: T7 Diving System, Tables, & Pool Seats

### ORDERING & SHIPPING:

- Use the order form on the back of this flyer, or download it from [www.inter-fab.com](http://www.inter-fab.com).
- Two Boxes on One Pallet
- Direct Ship to Distributor, Dealer Place of Business or Job Site
- Drop Ship Available (Residential Fees, Lift Gate Fees, etc. May Apply)



### MATCHING PRODUCTS:



|     |      |             |            |        |              |            |            |                |              |          |
|-----|------|-------------|------------|--------|--------------|------------|------------|----------------|--------------|----------|
| -51 | -52  | -53         | -54        | -55    | -56          | -57        | -58        | -59            | -60          | -61      |
| TAN | GRAY | SUMMIT GRAY | MONT BLANC | PEBBLE | FASHION GRAY | CAPPUCCINO | AUTUMN SUN | SAFARI SUNRISE | STARRY NIGHT | SEASHELL |

**ORDERING TIP:** ALL part numbers in the Inter-Fab price book for River Run Series, T7, Tables, and Seats include one of eleven (11) available color suffix codes. Replace the **XX** in the part numbers on this sheet with the correct color code suffix shown above for the color you wish to order.

# 2018 GARDEN RIDE SERIES PRODUCT SELECTION GUIDE - DEALER COPY

INTER-FAB INC • 3050 S. ALVERNON WAY • TUCSON, AZ 85713 • 800.737.5386 • FAX 520.790.7127

Distributor Name: \_\_\_\_\_ Phone: (    ) \_\_\_\_\_

Contact Name: \_\_\_\_\_ Fax: (    ) \_\_\_\_\_

Address: \_\_\_\_\_

Dealer/Builder Name: \_\_\_\_\_ Phone: (    ) \_\_\_\_\_

Contact Name: \_\_\_\_\_ Fax: (    ) \_\_\_\_\_

Email Address: \_\_\_\_\_

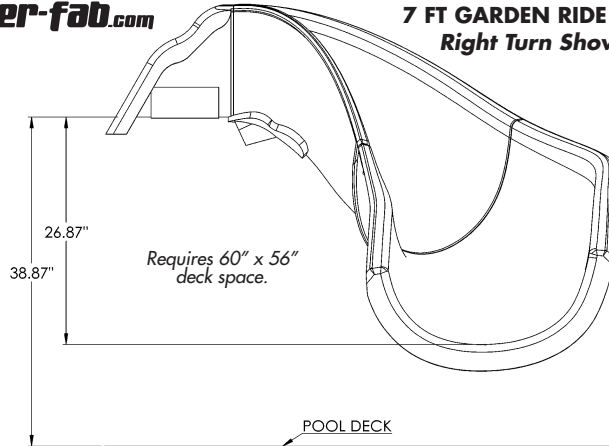
Address: \_\_\_\_\_

Job Reference/PO#: \_\_\_\_\_ Est. Build Date: \_\_\_\_\_

Signature: \_\_\_\_\_ Date: \_\_\_\_\_



## 7 FT GARDEN RIDE SLIDE Right Turn Shown



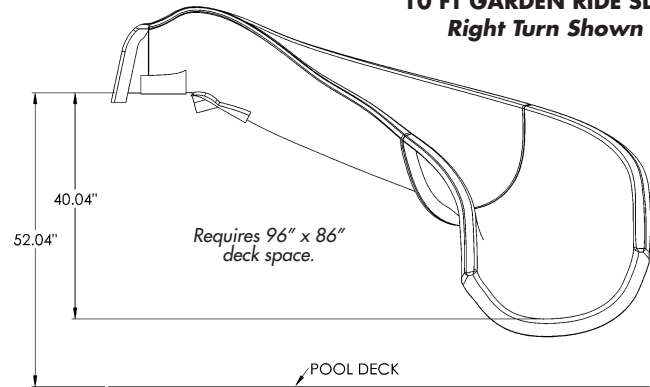
### 7 FT GARDEN RIDE SLIDE:

- LEFT TURN (part #GRS7-CL-XX)
- RIGHT TURN (part #GRS7-CR-XX)
- 51 TAN
- 52 GRAY
- 53 SUMMIT GRAY
- 54 MONT BLANC
- 55 PEBBLE
- 56 FASHION GRAY
- 57 CAPPUCCINO
- 58 AUTUMN SUN
- 59 SAFARI SUNRISE
- 60 STARRY NIGHT
- 61 SEASHELL
- OPTIONAL SUPPORT SYSTEM (part #GRS7-ANCHOR SYSTEM)  
In addition to Slide Price:  
(If declined initial here \_\_\_\_\_)

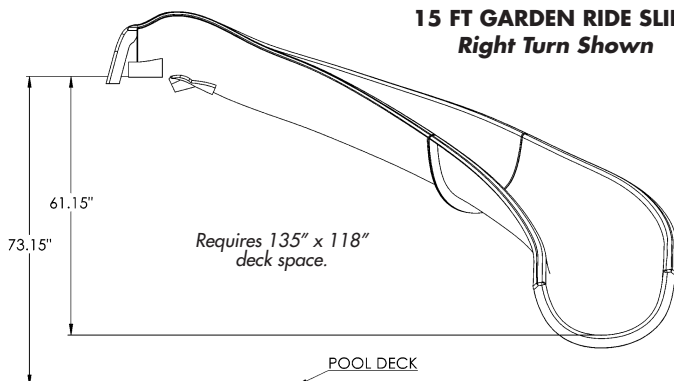
## 10 FT GARDEN RIDE SLIDE:

- LEFT TURN (part #GRS10-CL-XX)
- RIGHT TURN (part #GRS10-CR-XX)
- 51 TAN
- 52 GRAY
- 53 SUMMIT GRAY
- 54 MONT BLANC
- 55 PEBBLE
- 56 FASHION GRAY
- 57 CAPPUCCINO
- 58 AUTUMN SUN
- 59 SAFARI SUNRISE
- 60 STARRY NIGHT
- 61 SEASHELL
- OPTIONAL SUPPORT SYSTEM (part #GRS10-ANCHOR SYSTEM)  
In addition to Slide Price:  
(If declined initial here \_\_\_\_\_)

## 10 FT GARDEN RIDE SLIDE Right Turn Shown



## 15 FT GARDEN RIDE SLIDE Right Turn Shown



### 15 FT GARDEN RIDE SLIDE:

- LEFT TURN (part #GRS15-CL-XX)
- RIGHT TURN (part #GRS15-CR-XX)
- 51 TAN
- 52 GRAY
- 53 SUMMIT GRAY
- 54 MONT BLANC
- 55 PEBBLE
- 56 FASHION GRAY
- 57 CAPPUCCINO
- 58 AUTUMN SUN
- 59 SAFARI SUNRISE
- 60 STARRY NIGHT
- 61 SEASHELL
- OPTIONAL SUPPORT SYSTEM (part #GRS15-ANCHOR SYSTEM)  
In addition to Slide Price:  
(If declined initial here \_\_\_\_\_)

**PLEASE NOTE: FREIGHT IS EXTRA – GUARANTEED NOT TO EXCEED \$350.00 (U.S.). INTER-FAB SHIPS DIRECT TO DEALER PLACE OF BUSINESS OR JOB SITE.**