

DESIGNER DECK TOP DECK TO DECK RETURN STAIR RAIL:



PC
TP
MG

FEATURES:

- 304 SS and 316L
- 1.90" x .065" Wall Thickness
- Escutcheons & Mounting Hardware Included

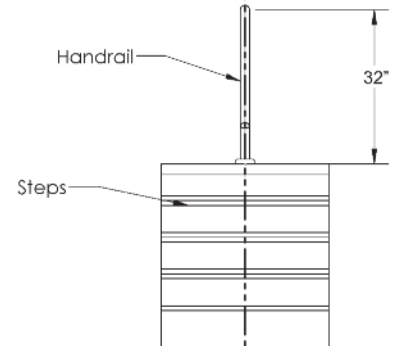
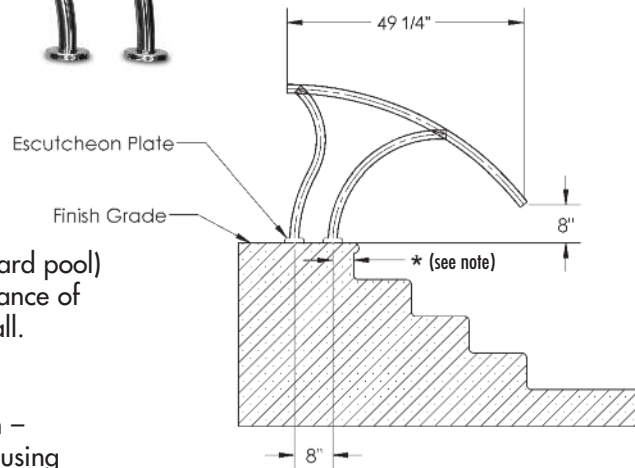
Part # DR-D3D50065-FL

*NOTE RAIL PLACEMENT:

The forward deck flange (toward pool) must set back a minimum distance of 2.5" from the vertical pool wall.

DECK TOP MOUNT:

Not traditional rail installation – comes with special hardware using drop-in anchors.



IMPORTANT: ALL MEASUREMENTS ON CENTER. MUST BE GROUNDED. CHECK YOUR LOCAL ELECTRICAL CODES.

DECK TOP DESIGNER DECK TO DECK STAIR HANDRAIL:



PC
TP
MG

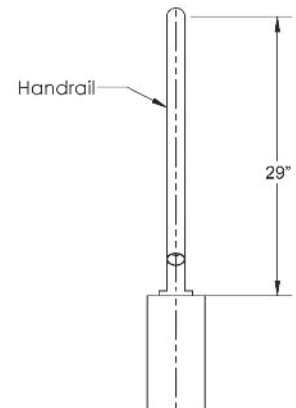
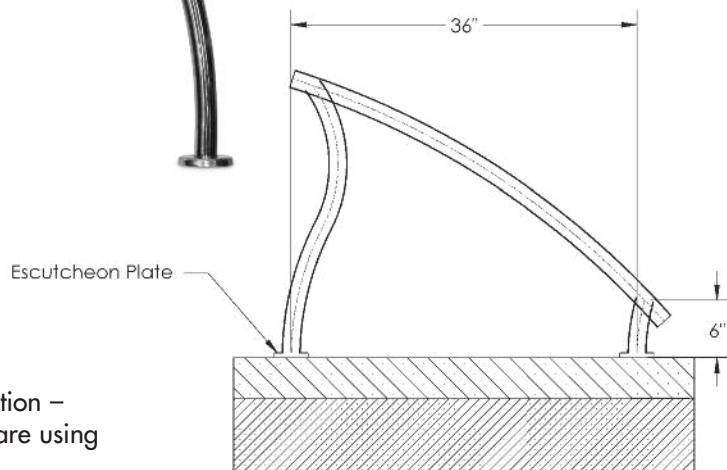
FEATURES:

- 304 SS and 316L
- 1.90" x .065" Wall Thickness
- Escutcheons & Mounting Hardware Included

Part # DR-D2D3.0065-FL (pair)

DECK TOP MOUNT:

Not traditional rail installation – comes with special hardware using drop-in anchors.



NOTE: This product sold as pairs.

IMPORTANT: ALL MEASUREMENTS ON CENTER. MUST BE GROUNDED. CHECK YOUR LOCAL ELECTRICAL CODES.