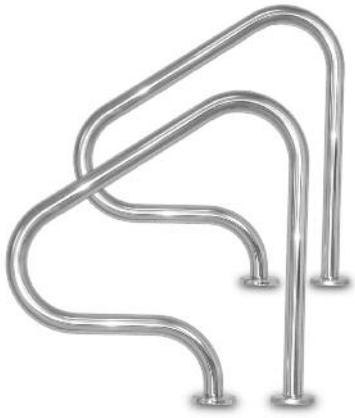


DECK TOP FIGURE 4:



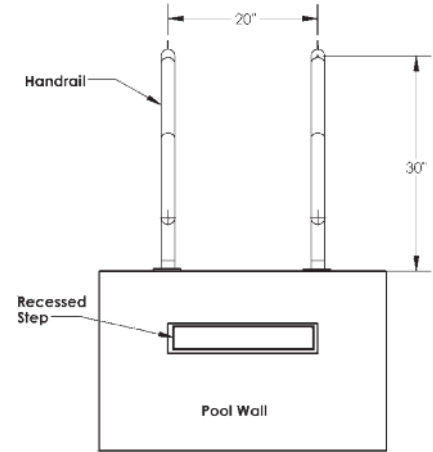
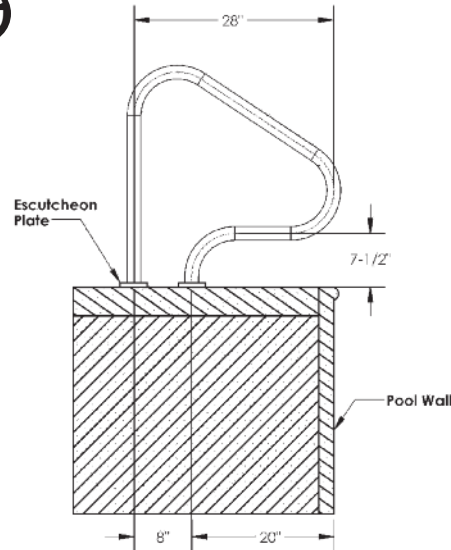
PC
TP
MG

Part # G3D049-FL (pair)
Part # G3D049-FL-SINGLE (single rail only)

DECK TOP MOUNT:
Not traditional rail installation – comes with special hardware using drop-in anchors.

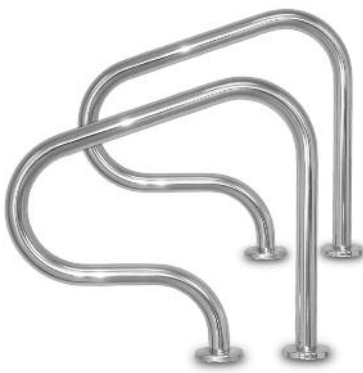
FEATURES:

- .049" Wall Stainless Steel Construction
- Available in Commercial Grade .065"
- 304 SS and 316L
- 1.90" OD
- Escutcheons & Mounting Hardware Included



IMPORTANT: ALL MEASUREMENTS ON CENTER. MUST BE GROUNDED. CHECK YOUR LOCAL ELECTRICAL CODES.

DECK TOP ECONOMY FIGURE 4:



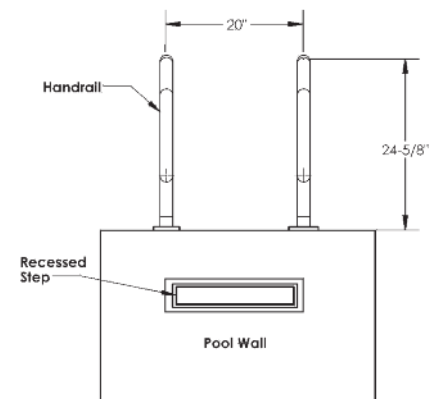
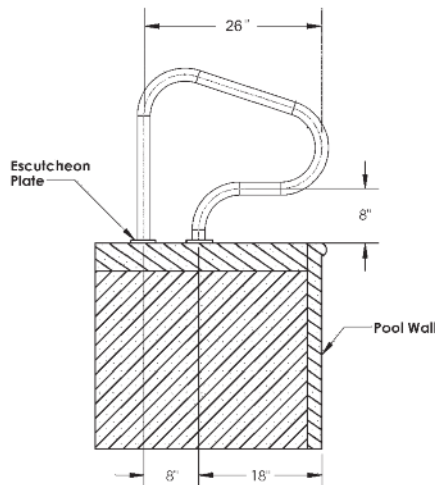
PC
TP
MG

Part # G3DE049-FL (pair)
Part # G3DE049-FL-SINGLE (single rail only)

DECK TOP MOUNT:
Not traditional rail installation – comes with special hardware using drop-in anchors.

FEATURES:

- .049" Wall Stainless Steel Construction
- Available in Commercial Grade .065"
- Economy Figure 4 Grab Rail is Shorter in Height & Span than Figure 4 Grab Rail
- 304 SS and 316L
- 1.90" OD
- Escutcheons & Mounting Hardware Included



IMPORTANT: ALL MEASUREMENTS ON CENTER. MUST BE GROUNDED. CHECK YOUR LOCAL ELECTRICAL CODES.