

2009 NEW BYOS 2 QUOTE REQUEST FORM

Distributor Name _____ Phone _____

Address _____ Fax _____

Contact Name _____

Dealer/Builder Name _____ Phone _____

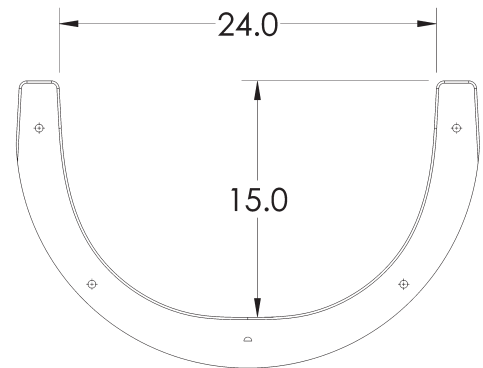
Address _____ Fax _____

Contact Name _____

Job Reference _____ Est. Build Date _____

STEP ONE

1. What is entry height above deck? _____
2. What is exit height above deck? _____
2. What is the estimated length of runway? _____



BYOS 2 Flume Dimensions

STEP TWO

1. Choose Installation Type: *(pick one)*
 Residential Commercial

STEP THREE

1. Provide us with a drawing of your slide.

(Anything from a napkin drawing to an actual CAD drawing will suffice.)

Please Note: Height, slope and actual length of slide will be adjusted as close to your design as possible. Actual designs may vary.

2. Choose Slide Color: *(pick one)*

Standard Colors: Tan (-51); Gray (-52); Summit Gray (-53)

Upgrade Colors: Mont Blanc (-54); Pebble (-55); Fashion Gray (-56); Cappuccino (-57)

STEP FOUR

FAX this form to Steve Cook
520-790-7127



INTER-FAB INC. • 3050 S. Alvernon Way • Tucson, AZ 85713 • 800-737-5386