

CITY 2™ SLIDE:



FEATURES:

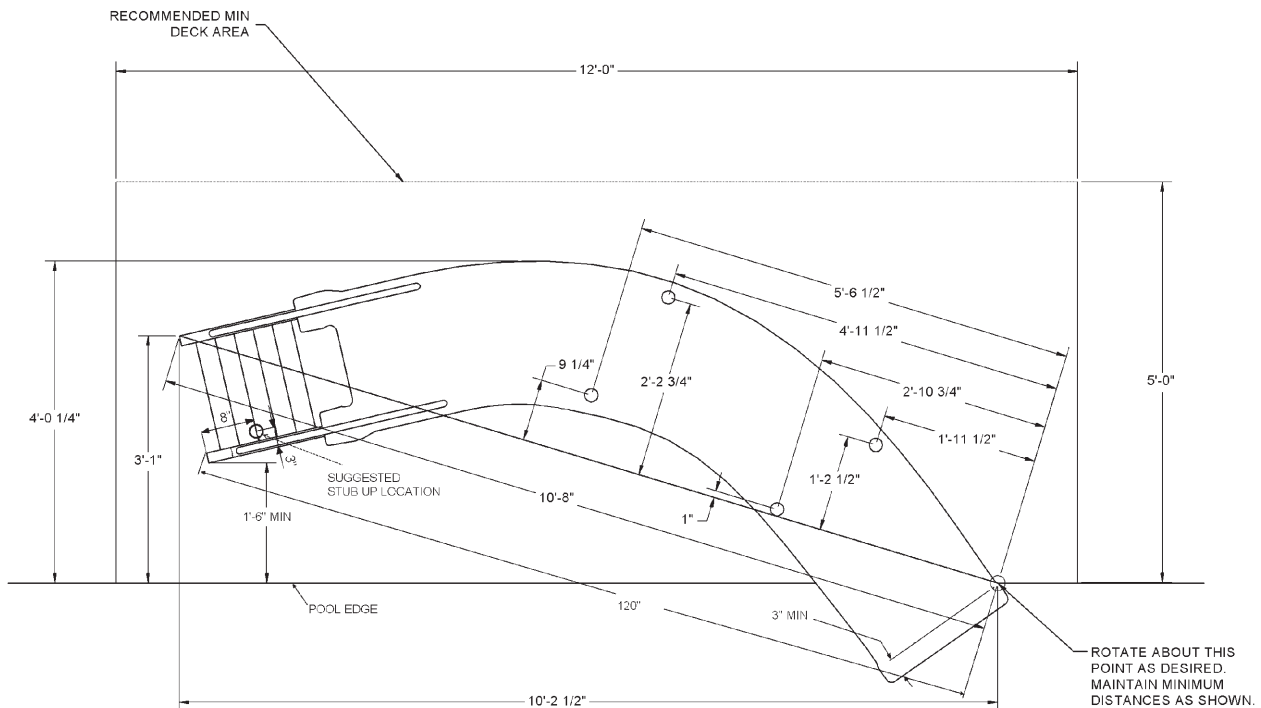
- Durable & Long Lasting Acrylic Construction
- Available in White, Blue, Tan & Gray
- Available in Right or Left Turn
- 72" High at Seating Area
- Flume Width = 17" (centerline)
- Flume Depth = 5"
- Extruded Aluminum Ladder & Handrails
- Zoom-Flume™ Water Supply System
- 15-25 GPM (Actual GPM rating will vary depending on specific pool size and pool equipment used.)
- Optional Deck Mounting Flanges Available (*must order separately*)
- Weight Limit = 225 Lbs.
- See Available Slide Colors on Pg. 31

CITY 2™ SLIDE - RIGHT

| DESCRIPTION | PART NUMBER |
|-----------------------------|-----------------|
| City 2 Slide - right - wht | Part #CITY2-CRW |
| City 2 Slide - right - blue | Part #CITY2-CRB |
| City 2 Slide - right - tan | Part #CITY2-CRT |
| City 2 Slide - right - gray | Part #CITY2-CRG |

comes w/ss hardware

City 2™ Slide Footprint for RIGHT Turn Slide



CITY 2™ SLIDE:

Zoom Flume™
Water Supply System



Optional Deck
Mounting Flanges
(Sold Separately)

FEATURES:

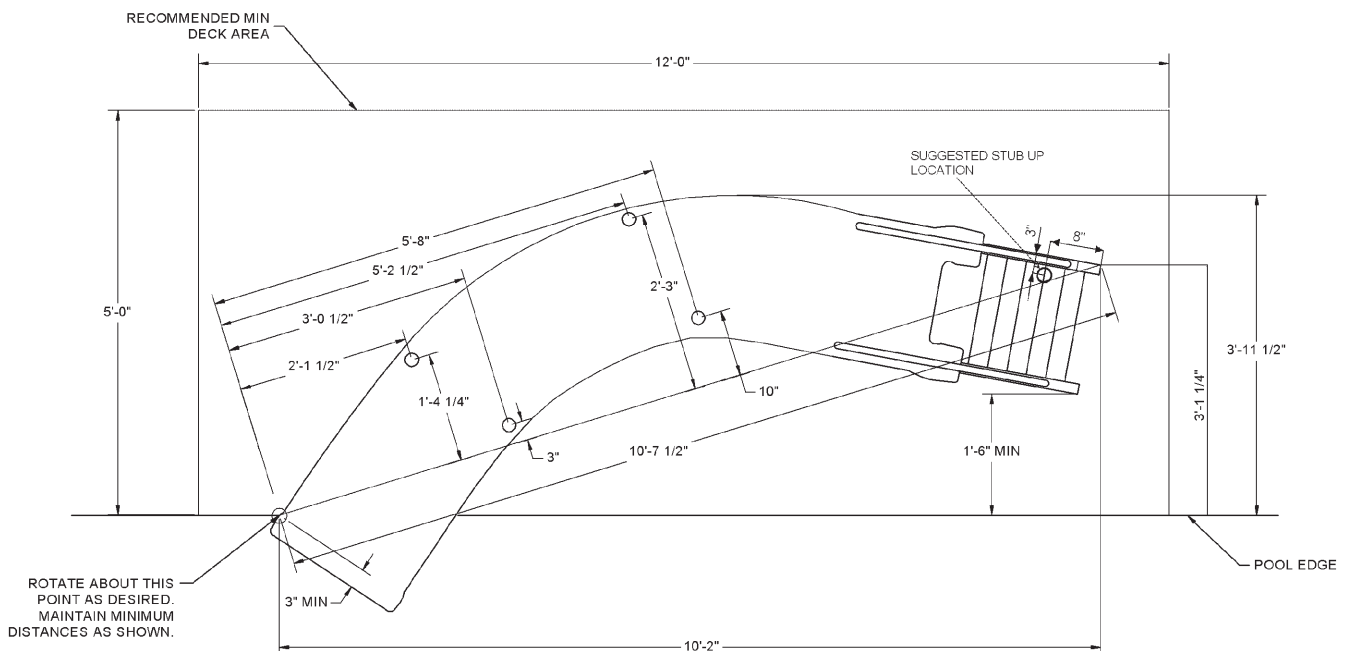
- Durable & Long Lasting Acrylic Construction
- Available in White, Blue, Tan & Gray
- Available in Right or Left Turn
- 72" High at Seating Area
- Flume Width = 17" (centerline)
- Flume Depth = 5"
- Extruded Aluminum Ladder & Handrails
- Zoom-Flume™ Water Supply System
- 15-25 GPM (Actual GPM rating will vary depending on specific pool size and pool equipment used.)
- Optional Deck Mounting Flanges Available (*must order separately*)
- Weight Limit = 225 Lbs.
- See Available Slide Colors on Pg. 31

CITY 2™ SLIDE - LEFT

| DESCRIPTION | PART NUMBER |
|--------------------------|-----------------|
| City Slide - left - wht | Part #CITY2-CLW |
| City Slide - left - blue | Part #CITY2-CLB |
| City Slide - left - tan | Part #CITY2-CLT |
| City Slide - left - gray | Part #CITY2-CLG |

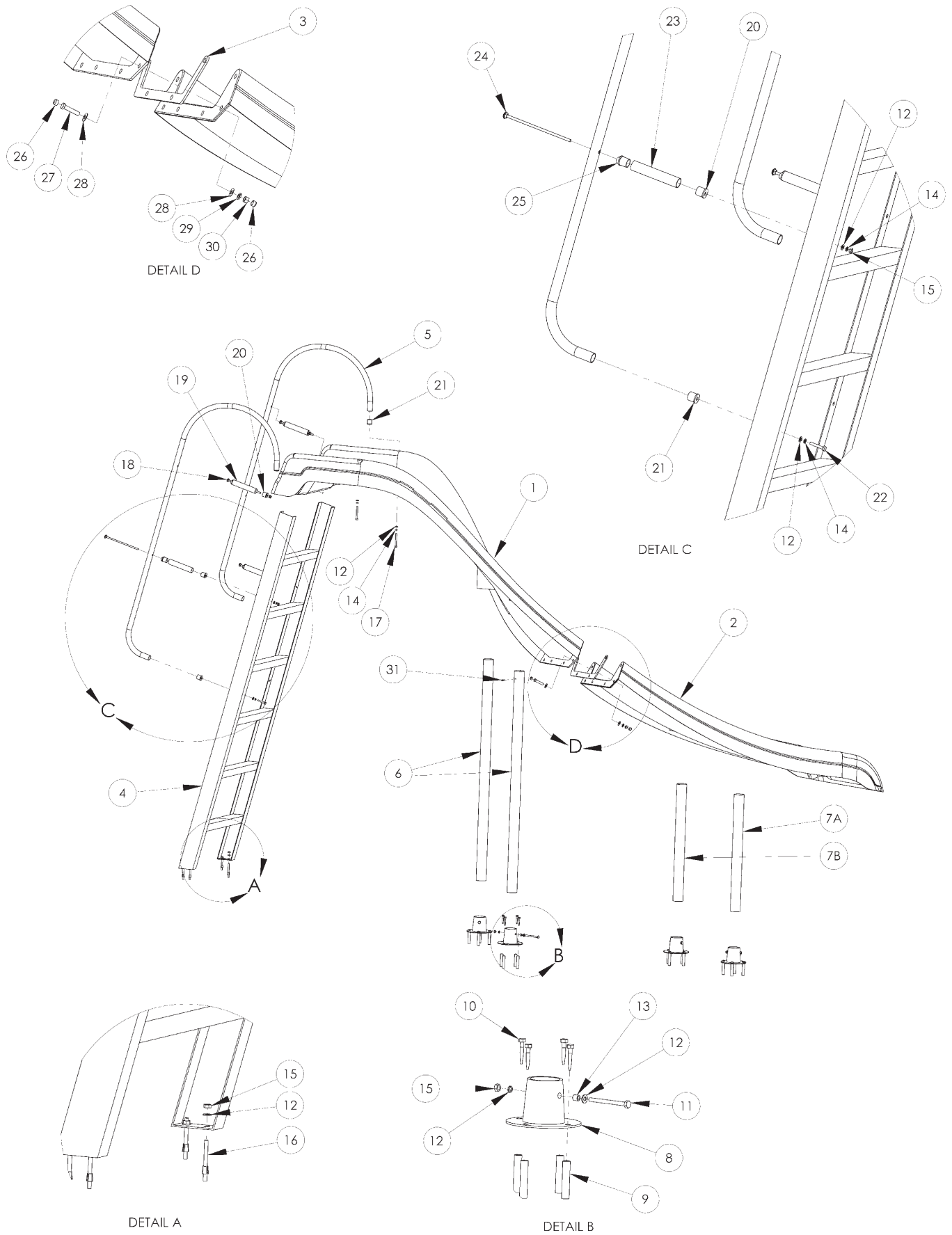
comes w/ss hardware

City 2™ Slide Footprint for LEFT Turn Slide



CITY 2™ SLIDE (CITY2-CLW):

RESIDENTIAL SLIDES



CITY 2™ SLIDE (CITY2-CLW):

ALL CHART INFORMATION BELOW CORRESPONDS WITH THE DRAWING ON THE PREVIOUS PAGE.



| |
|---|
| DRAWING REPRESENTS THE FOLLOWING PART NUMBERS: |
| CITY2-CL (shown) |
| CITY2-CR |

* City Slide Deck Anchors are Sold Separately (4 required for a complete City Slide install)

| ITEM # | COMPONENT | DESCRIPTION | KITS - QTY. COUNTS | | | | |
|--------|--------------------------------|---|--------------------|-----------|-----------------|--------------------|-----|
| | | | CS-101-SS | CS-102-SS | CITY2-PRTS PACK | CITY-DECK ANCH (4) | N/A |
| 1 | CITY2-URUN | City 2 Upper Runway | | | | | 1 |
| 2 | CITY2-LRUN | City 2 Lower Runway | | | | | 1 |
| 3 | H-C2 L GASKET or H-C2 R GASKET | Gasket (either right turn or left turn gasket) | | | | | 1 |
| 4 | CITY-LADDER | Aluminum Ladder Assembly | | | 1 | | |
| 5 | CITY HANDRAIL | Aluminum Slide Handrails | | | 2 | | |
| 6 | H-45.500 LEG | 45.50" Aluminum Slide Leg | | | 2 | | |
| 7A | H-23.250 LEG | 23.25" Aluminum Slide Leg | | | 1 | | |
| 7B | H-20.500 LEG | 20.50" Aluminum Slide Leg | | | 1 | | |
| 8 | CITY-DECK ANCH | Deck Anchor (optional item; ordered separately) | | | | | 1* |
| 9 | | 5/16" Concrete Insert Lag Shield | | | | | 16* |
| 10 | | 5/16" x 2-1/2" Hex Lag Screw S.S. | | | | | 16* |
| 11 | | 1/4" x 3" Hex Bolt S.S. | | | | | 4* |
| 12 | | 1/4" Flat Washer S.S. | 8 | | | | 8* |
| 13 | | 1/4" x 3/8" Aluminum Bushing | | | | | 4* |
| 14 | | 1/4" Lock Washer S.S. | 8 | | | | |
| 15 | | 1/4" Finish Nut S.S. | 8 | | | | 4* |
| 16 | | 1/4" x 2-1/4" Wedge Anchor S.S. w/Washer | 4 | | | | |
| 17 | | 1/4" x 2-1/4" Tap Bolt S.S. | 2 | | | | |
| 18 | | 1/4" x 12" Carriage Bolt | 2 | | | | |
| 19 | | 7-1/2" Aluminum Spacer | 2 | | | | |
| 20 | | Round to Flat Nylon Connector | 4 | | | | |
| 21 | | Round to Flat Nylon Connector w/Wedge | 4 | | | | |
| 22 | | 1/4" x 1-1/4" Machine Bolt S.S. | 2 | | | | |
| 23 | | 5-1/2" Aluminum Spacer | 2 | | | | |
| 24 | | 1/4" x 7-1/2" Carriage Bolt S.S. | 2 | | | | |
| 25 | | Round to Round Nylon Connector | 4 | | | | |
| 26 | H-.562 X .390 CAP | Gray Protective Cap | | 12 | | | |
| 27 | H-SS 3/8 X 1-3/4 | 3/8" x 1-3/4" Hex Head Bolt S.S. | | 6 | | | |
| 28 | H-SS 3/8 FLT WASHER | 3/8" x 1" Flat Washer S.S. | | 12 | | | |
| 29 | H-SS 3/8 LOC WASHER | 3/8" Lock Washer S.S. | | 6 | | | |
| 30 | H-SS 3/8 F NUT | 3/8" Finish Nut S.S. | | 6 | | | |
| 31 | | #14 x 3/4" S.S. Pan Head Screw | 8 | | | | |
| 32 | H-1/2 SPA HOSE | 1/2" Spa Hose - 10 ft | | | | | 1** |
| 33 | H-1/2 BALL VALVE | 1/2" On/Off Ball Valve | | | | | 1** |

* OPTIONAL - Deck Anchors are Sold Separately. Must order 1 for each slide leg for a total of 4.

** not pictured

NOTES:

City 2 Slides available in white, blue, tan and gray.
 City 2 Slides available in both right and left turns.

RESIDENTIAL SLIDES