

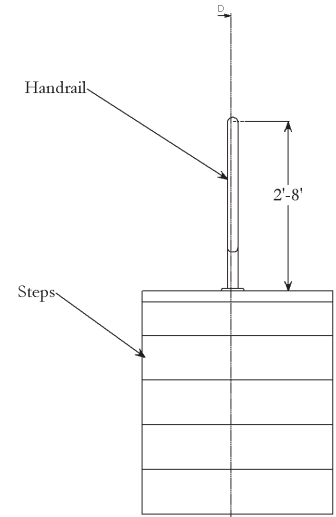
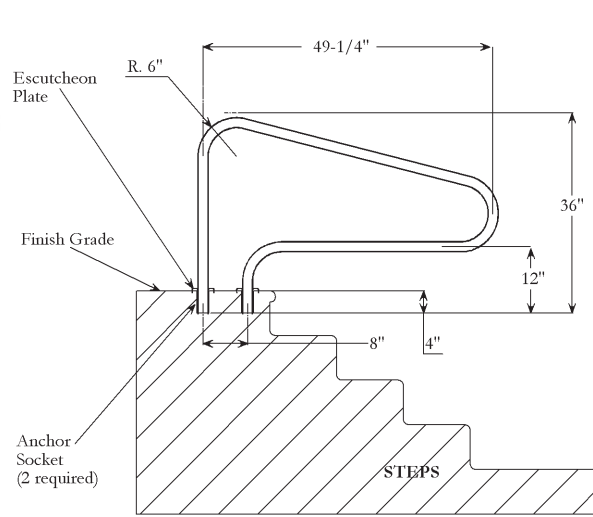
## STAIR RAILS - 3 BEND:



Part # D3D50049

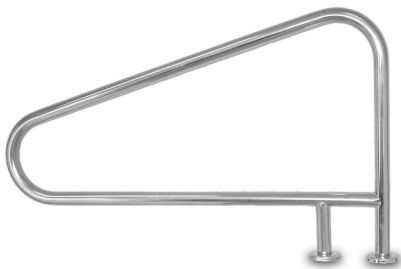
### FEATURES:

- .049" Wall Stainless Steel Construction
- Available in Commercial Grade .065"
- 304 SS
- 1.90" OD



**NOTE:** Escutcheons sold separately w/ss products; included with powder coated ladders and rails. All measurements on center.

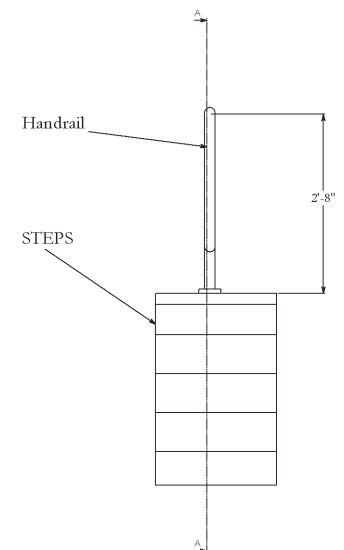
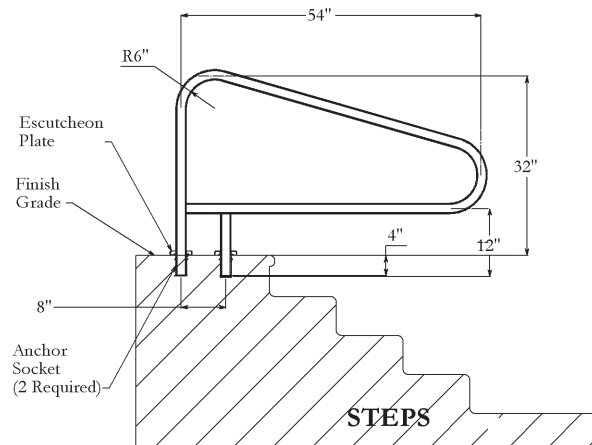
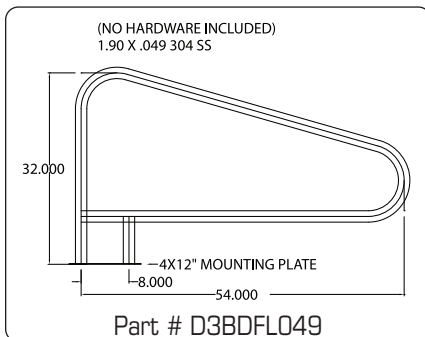
## STAIR RAILS - 3 BEND - BRACED:



Part # D3BD049

### FEATURES:

- .049" Wall Stainless Steel Construction
- Available in Commercial Grade .065"
- Flanged Version Available
- 304 SS
- 1.90" OD



**NOTE:** Escutcheons sold separately w/ss products; included with powder coated ladders and rails. All measurements on center.