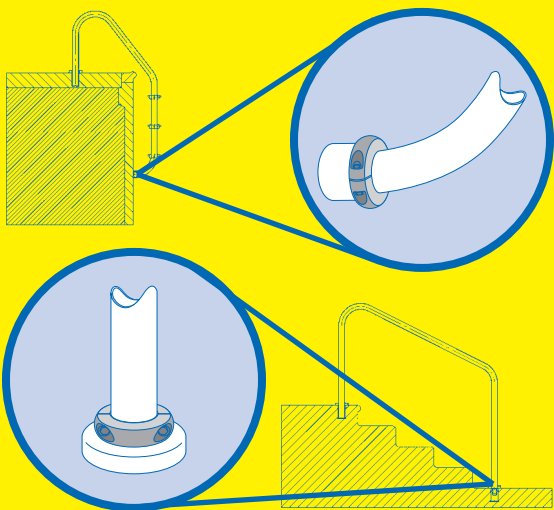


# ***INTER-FAB***

## ***RUST BUSTER***

***Protect Your Rails & Ladders  
with a Sacrificial Zinc Anode  
EASY CLAMP-ON DESIGN!***

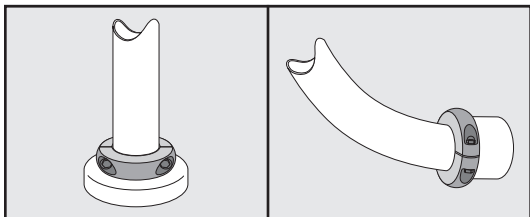


***inter-fab.com***

# ***RUST BUSTER***

- **Easy Clamp-On Design**
- **Fits Most Ladders & Rails (1.90" OD)**
- **Reduces Rust and Degradation of Stainless Steel Rails**
- **Stainless Steel Hardware Included**
- **For Underwater Use ONLY**

**INSTALLATION:** Set the 1/4" acorn nuts into hex receivers on one half of the anode. Position the anode as desired and pass the bolts through the other anode half. Use a 7/16" socket on the bolt heads and tighten until snug.



*Anode installed just above escutcheon.*

*Anode installed just above ladder bumper.*

**NOTE:** Replace your anode as needed. Anode life is dependent on level of electrolysis, pool water chemistry, method of rail bonding, and rail maintenance.

**INTER-FAB INC. • 800.737.5386 TOLL FREE**  
**i n t e r - f a b . c o m**