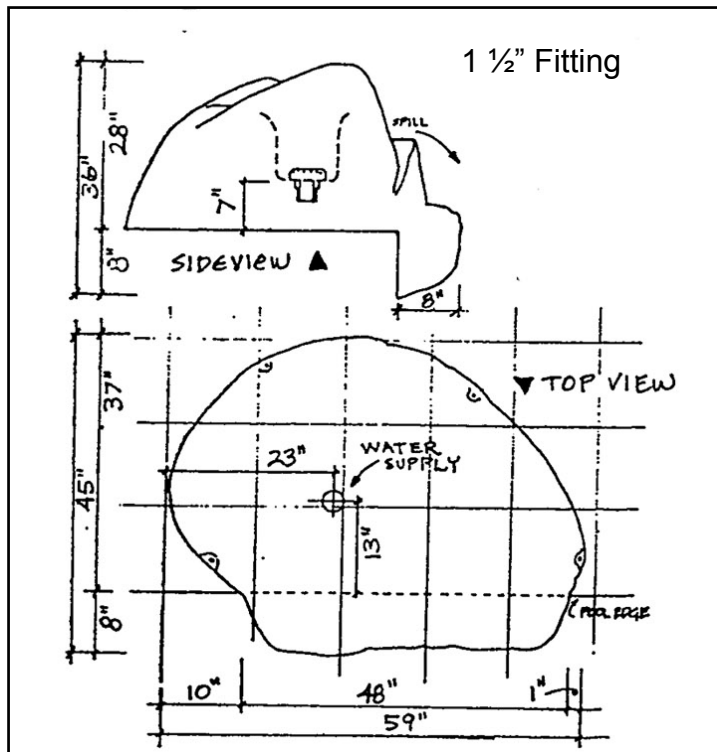
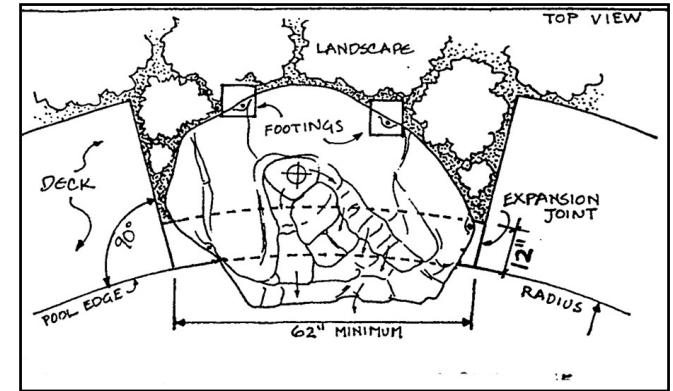


PSWF 40 Taos Waterfall 4'10"x3;x2' Rated @ 15 GPM



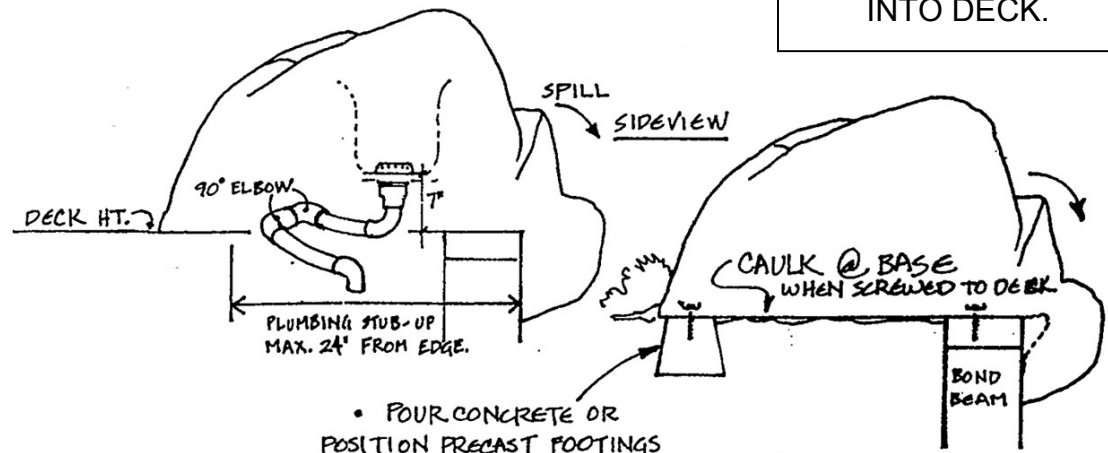
The PSWF 40 may be fitted to a 7' minimum radius, as well as a straight pool wall.

- ◆ Plumbing recommended as illustrated.
- ◆ Valve should be plumbed into system to regulate proper flow.
- ◆ Check for leaks before securing to deck.



SCALE: 1 Square = 1'

IMPORTANT! DO NOT CEMENT UNIT INTO DECK.



- POUR CONCRETE OR POSITION PRECAST FOOTINGS UNDER SCREW HOLES. (SCREWS PROVIDED).
- OR, FOR EXISTING DECK—JUST SCREW INTO DECK.