

Name of Distributor _____ Date _____

Distributor Phone Number _____ Distributor Fax Number _____

Distributor Contact _____

Dealer Name _____ Dealer Contact _____

Dealer Phone Number _____ Project Name _____

Please provide the necessary dimensions needed to make the requested custom handrail. Custom rails and ladders are non-returnable and carry the same 3 year warranty as Inter-Fab's standard products. Custom rails are shipped via LTL shipment.

Pool Professional: Fax this to your wholesale distributor.

Wholesale Distribution ONLY: Fax to Inter-Fab, Inc., ATTN: Rail Department.

Please check requested handrail pattern: ___ 2 Bend Handrail ___ 3 Bend Handrail

_____ **A** = (For 3 Bend Handrail ONLY)

_____ **B** = Dimension from the Bottom of Leg to the Centerline of the Peak of the Bend*
*Include Amount Needed for Anchor

_____ **C** = The Rise from the Bottom of the One Leg to the Bottom of the Other Leg

_____ **D** = Dimension from the Bottom of the Leg to Where the Bend Begins**
**Include Amount Needed for Anchor

_____ **E** = The Span is the Centerline of One Leg to the Centerline of the Other Leg

Please indicate 304 SS tube size needed: ___ 1.90 x .049; ___ 1.90 x .065; ___ 1.625 x .049

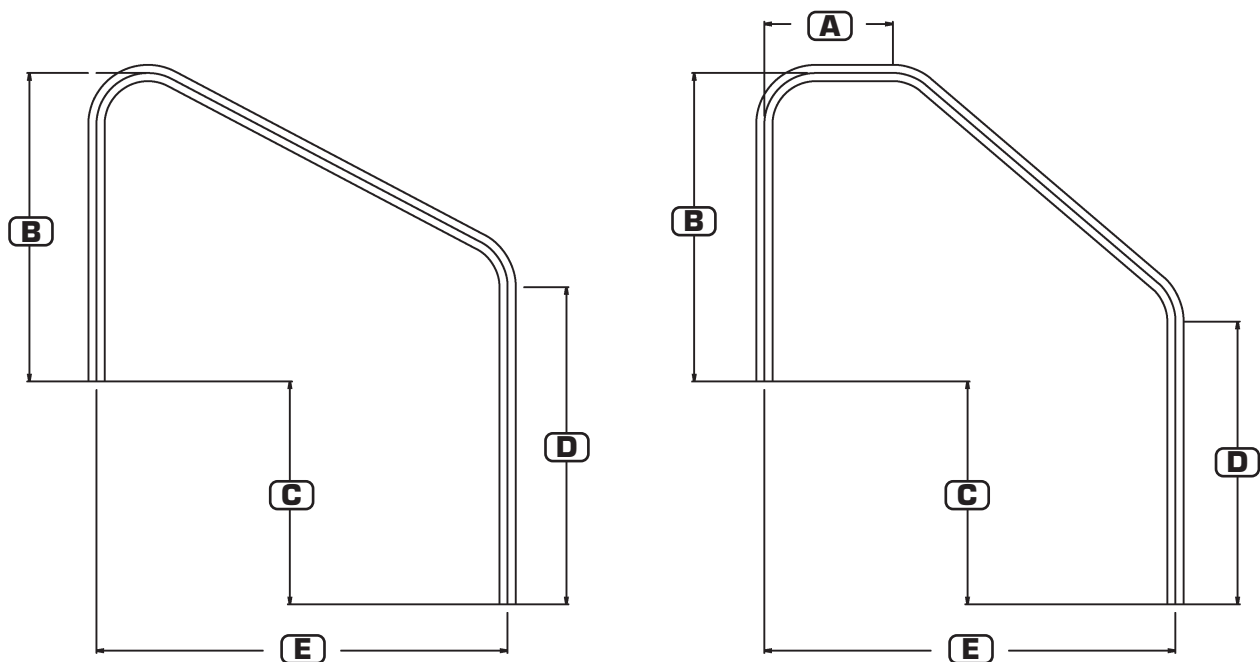
EXTRA: ___ Check if Rail is to be Powder Coated (Color _____) *Please note that 4" will be taped off bottom of rail when powder coated. If only 3" is to be taped off, please indicate on Purchase Order.*

NOTES: 1) Anchors Not Included

2) Escutcheons Included ONLY for Powder Coated Rails Unless Rail has Welded Plates

3) All Rails Available in 5 Custom Colors:

(White: -1; Earth: -3; Copper Vein: -4; Hammertone Gray: -6; Light Gray: -9)



Name of Distributor _____ Date _____

Distributor Phone Number _____ Distributor Fax Number _____

Distributor Contact _____

Dealer Name _____ Dealer Contact _____

Dealer Phone Number _____ Project Name _____

Please provide the necessary dimensions needed to make the requested custom stair rail. Custom rails and ladders are non-returnable and carry the same 3 year warranty as Inter-Fab's standard products. Custom rails are shipped via LTL shipment.

Pool Professional: Fax this to your wholesale distributor.

Wholesale Distribution ONLY: Fax to Inter-Fab, Inc., ATTN: Rail Department.

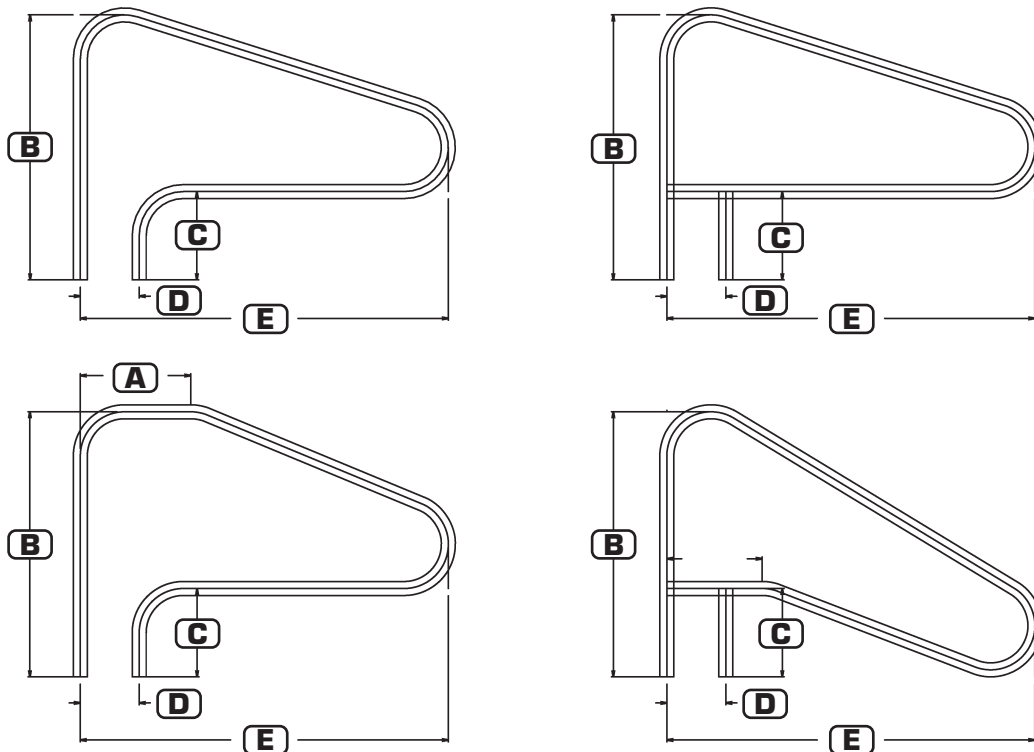
Please check requested handrail pattern: ___ 3 Bend Deck to Deck ___ 4 Bend Deck to Deck
 ___ Braced Deck to Deck ___ Dipped Braced Deck to Deck

- _____ **A** = Top Span (For 4 Bend Stair Rail ONLY)
- _____ **B** = Dimension from the Bottom of Leg to the Centerline of the Peak of the Bend*
 *Include Amount Needed for Anchor
- _____ **C** = Dimension from the Bottom of the Leg to the Centerline of the Lowest Horizontal Span
- _____ **D** = Centerline Dimension between the Deck Posts of the Handrail
- _____ **E** = Centerline Dimension between the Back Deck Leg and the Center of the Forward Bend

Please indicate 304 SS tube size needed: ___ 1.90 x .049; ___ 1.90 x .065; ___ 1.625 x .049

EXTRA: ___ Check if Rail is to be Powder Coated (Color _____) *Please note that 4" will be taped off bottom of rail when powder coated. If only 3" is to be taped off, please indicate on Purchase Order.*

- NOTES:** 1) Anchors Not Included
 2) Escutcheons Included ONLY for Powder Coated Rails Unless Rail has Welded Plates
 3) All Rails Available in 5 Custom Colors:
 (White: -1; Earth: -3; Copper Vein: -4; Hammertone Gray: -6; Light Gray: -9)





WANTED: CUSTOM RAIL PHOTOS

PLEASE EMAIL TO CUSTOMERSERVICE@INTER-FAB.COM

We're seeking first rate installation photos of Inter-Fab custom rails to help keep our gallery images fresh!

Enter your digital photos for a chance to get a **5% RETURN ON THE COST OF THE RAIL!***

**5% reward will be given on receipt of usable photos that meet the photo requirements outlined below.*

REQUIREMENTS & OFFER DETAILS

- Prior photo submissions will not be eligible for the 5% rail rebate.
- Qualifying photos will be selected using the following criteria: photo quality, setting, and focus on product.
 - Suggested Image Angles:
 - Angle from across the pool towards the installed rail.
 - Close up of the installed rail.
 - Use your best judgement on optimal angles to highlight the product.
- Photos MUST be original material with NO ASSOCIATED COPYRIGHTS.
- By submitting your photo(s), you agree to allow Inter-Fab to use your photo(s) in any promotional materials, both in print or digitally.
- Inter-Fab will post usable submissions on our website with your Company Name in the photo caption to increase your visibility & sales leads on our website!
- Please email your entries to customerservice@inter-fab.com with the subject line CUSTOM RAIL PHOTO.
- Information to include in your email submission:
 - Dealer Name
 - Dealer Contact
 - Contact Email Address
 - Dealer Address
 - Dealer Phone Number
 - Project Name
 - Date of Custom Rail Installation
- Inter-Fab may end this offer at any time.